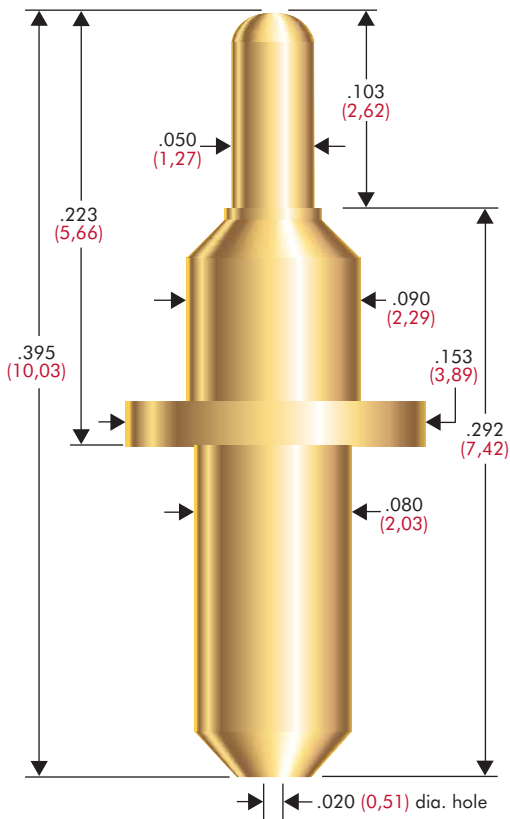
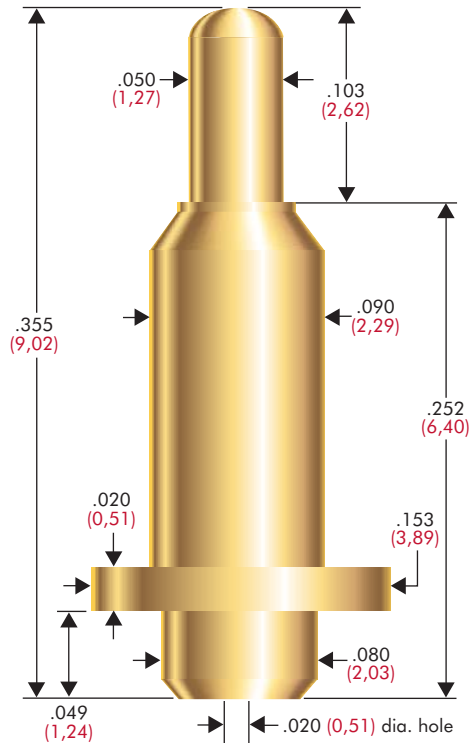


## 100410 BATTERY CONTACT



## 100891 BATTERY CONTACT



### PROBE SPECIFICATIONS

**Minimum Centers:** .175 (4,45)  
**Current Rating:** 10 amps continuous  
 (Individual probe in free air @ ambient temperature)  
**Spring Force:** 6.2 oz. @ .060 (1,52) travel  
**Contact Resistance:** <10 mΩ  
**Maximum Travel:** .090 (2,29)  
**Working Travel:** .060 (1,52)

### MATERIALS

**Barrel:** Nickel/silver, gold plated  
**Spring:** Stainless steel, gold plated  
**Plunger:** Full-hard beryllium copper, gold plated  
**Bias Ball:** Stainless steel, gold plated  
**Special Features:** Mounting flange, bias ball

### HOW TO ORDER

100410-005

### PROBE SPECIFICATIONS

**Minimum Centers:** .175 (4,45)  
**Current Rating:** 10 amps continuous  
 (Individual probe in free air @ ambient temperature)  
**Spring Force:** 9.0 oz. @ .067 (1,70) travel  
**Contact Resistance:** <15 mΩ  
**Maximum Travel:** .100 (2,54)  
**Working Travel:** .067 (1,70)

### MATERIALS

**Barrel:** Nickel/silver, gold plated  
**Spring:** Stainless steel, gold plated  
**Plunger:** Full-hard beryllium copper, gold plated  
**Special Feature:** Mounting flange

### HOW TO ORDER

100891-002