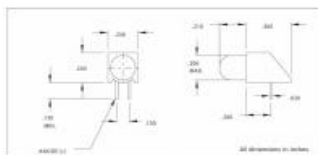


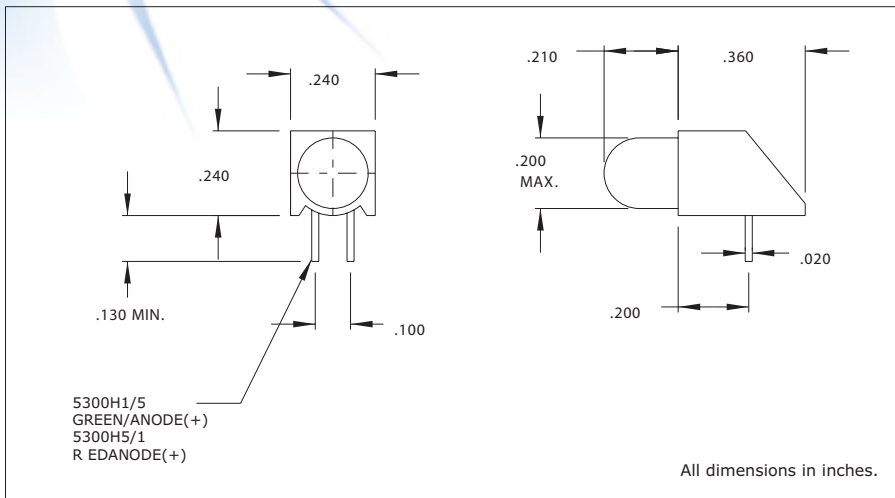
Circuit Board Indicators

CML LED assemblies are available in both right angle and vertical package and utilize the CML IT line of high quality LEDs. Parts range in voltage from 2V to 12V and in current from 2mA to 20mA. The UL94V0 housings ensure proper LED alignment.



Part Number: 5300H1/5
Serial Number: 5300H
Emitted color: Red/Green
Lens color: White
Lum in min (mcd): 19.0/9.0
Lum in typ (mcd): 60.0/25.0
Rated current (mA): 20
Cont forward current max: 30
Fwd volts type: 1.8/2.1
Forward volt max.: 2.4/2.8
Reverse breakdown V: 3
Viewing angle (°): 60
Peak wave length (nm): 660/565
Housing type: UL94V-0
RoHS Status: Yes

5300 Series T-1 3/4 Bicolor Right Angle LED Assembly
DESCRIPTION AND FEATURES



- Features**
- Bicolor LED, red and green chip within single lamp.
 - High intensity light output.
 - Standoff design prevents flux entrapment.
 - Even alignment mounting saves assembly cost.

Housing: Black Nylon, UL94V-O

ELECTRO-OPTICAL CHARACTERISTICS AND RATINGS

Part Number	Color	Typ. Intensity (mcd)	Rated Current (mA)	Continuous Forward Current Max. (mA)	Forward Voltage Typ. (V)	Forward Voltage Max. (V)	Peak Forward Current @ 1ms-300pps (A)	Reverse Break-down Voltage Min. (V)	Peak Wavelength (nm)
5300H1/5	Red/Green	6.0	10	50	2.2	2.8	.06	3	650(R)/565(G)
5300H5/1	Green/Red	6.0	10	50	2.2	2.8	.06	3	565(G)/650(R)