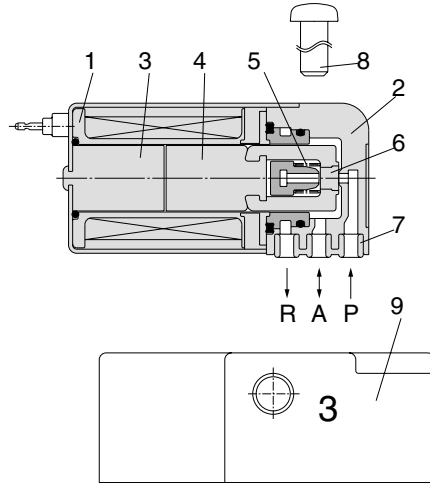


Series S070

Construction

Component Parts

Number	Description	Material
1	Solenoid coil	—
2	Body	Resin
3	Core	Stainless steel
4	Armature assembly	Stainless steel, resin
5	Return spring	Stainless steel
6	Poppet	FKM
7	Interface gasket	FKM
8	Round head combination screw	Carbon steel
9	Sub-plate	Aluminum



* The above figure is an example of S070B-□□G base piping type (mounted with screws).

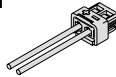
Replacement Parts

Plug connector assembly (for plug lead)

S070-14A- □

• Lead wire length

Nil	150 mm
3	300 mm
6	600 mm
10	1000 mm

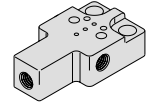


Sub-plate

S070-S-M3 □

• Port size

M3	M3 female thread
M5	M5 female thread



Gasket

Valve model	Gasket no.
S070A	S070A-80A-1
S070B	S070B-80A-1
S070M	S070M-80A-1



Note) Order is accepted in 10 units.

Mounting screw

Valve model	Mounting screw no.
S070B	AXT632-106A-1
S070C	AXT632-106A-2



Note) Each of the above part numbers is for two screws, which are to be ordered by 10 units.
Order is accepted in 10 units.