

SEARCH OUR PRODUCTS

  
aluminum electrolytic & organic semiconductor

  
film

  
power film

  
tantalum ceramic



## Aluminum Electrolytic Capacitors

### +105°C Standard Radial Lead Aluminum Electrolytic Capacitors

Part Number: 476CKE350M

[General Specifications \(PDF\)](#)

[Special Order Options](#)

[CKH\\_CKE document \(PDF\)](#)



#### Electrical Specifications

**Capacitance:** 47.0  $\mu$ F  
**Tolerance:** -20 %, +20 %  
**Dissipation Factor:** 0.2 at 120 Hz  
**ESR:** 7.055 Ohms at 20° C and 120 Hz  
**Impedance:**  
 --  
 --

**Temperature Range:** -55°C to +105°C  
**WVDC:** 350 volts DC  
**SVDC:** 400. volts DC  
**Leakage Current:**  
 534.0  $\mu$ A after 2 Minutes  
**Ripple Current:**  
 190.0 mA at 120 Hz and 105°C

#### Impedance Ratios:

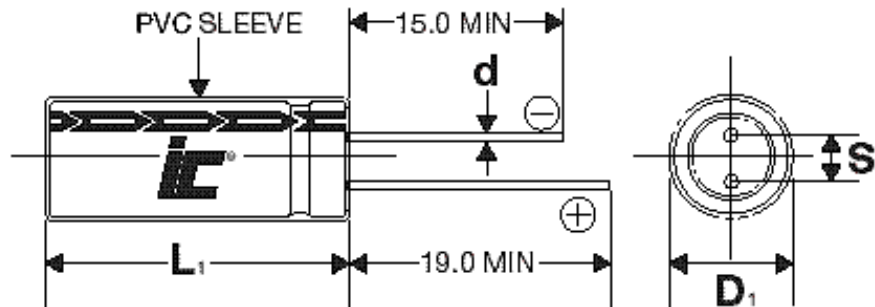
6.0 at -25°C/20°C  
 10.0 at -40°C/20°C

#### Load Life:

2000 Hours at 105°C with 100% of rated voltage and with 0% of rated ripple current

#### Physical Specifications

**Diameter (D):** 16.0 mm + 0.5 mm  
**Length (L):** 25.0 mm + 1.5 mm  
**Lead Wire Diameter (d):** 0.8 mm + 0.05 mm  
**Lead Spacing:** 7.5 mm +/- 0.5 mm  
**Lead Length:** 15 mm



 **Add To Sample Cart**  
 (You can always remove it later)



## [Site Map](#)

### [View Items in Shopping Cart](#)

Illinois Capacitor, Inc.  
3757 West Touhy Avenue  
Lincolnwood, IL 60712 USA  
Tel:847.675.1760 Fax:847.673.2850  
email:[sales@illcap.com](mailto:sales@illcap.com)

[Products](#) | [Profile](#) | [Press](#) | [Employment](#) | [Links](#) | [Contact](#) | [Home](#) | [Search by Application](#) | [Search by Parameters](#) | [Search by Part Number](#) | [Search by Competitor Series](#) | [Search Distributor Inventory](#) | [Search in Diagram View](#) | [Tech Center](#)  
[Site Map](#) | [Aluminum Electrolytic](#) | [Film](#) | [Power Film](#) | [Ceramic](#) | [Shopping Cart](#) | [FAQs](#) | [Catalog PDF Files](#)

©Copyright 2003, Illinois Capacitor, Inc. [Legal Notices](#)

Illinois Capacitor, Inc. reserves the right to make changes from the specifications herein in the construction and design of its capacitors from time to time without notice. The information and specifications included herein are believed to be accurate and reliable; Illinois Capacitor, Inc. Assumes No Responsibility For Correctness, Specific Application Or Uses. NO WARRANTIES ARE EXPRESSED OR IMPLIED. Illinois Capacitor, Inc. specifically disclaims any implied warranties of merchantability or fitness for any particular purpose.