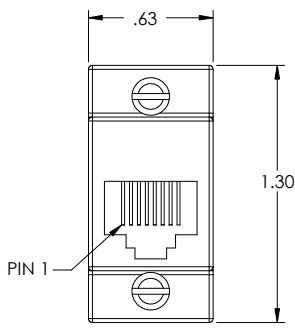
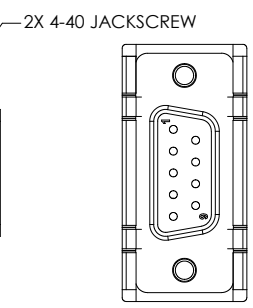
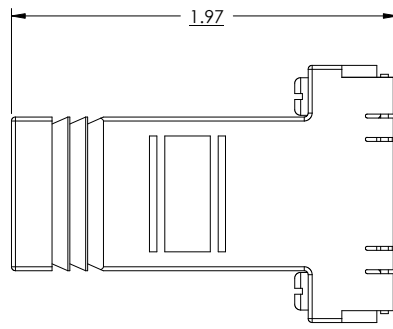


THE INFORMATION CONTAINED IN THIS DRAWING IS THE SOLE PROPERTY OF L-COM, INC. ANY REPRODUCTION IN PART OR WHOLE WITHOUT THE WRITTEN PERMISSION OF L-COM, INC. IS PROHIBITED.

REVISIONS			
REV	DESCRIPTION	DATE	APPROVED
A	RELEASED FOR PRODUCTION	12/5/01	TJC
B	ECN1698: ADDED COMPONENT SPECIFICATION TABLE	3/18/04	DFP



RJ45 JACK (8 X 8)

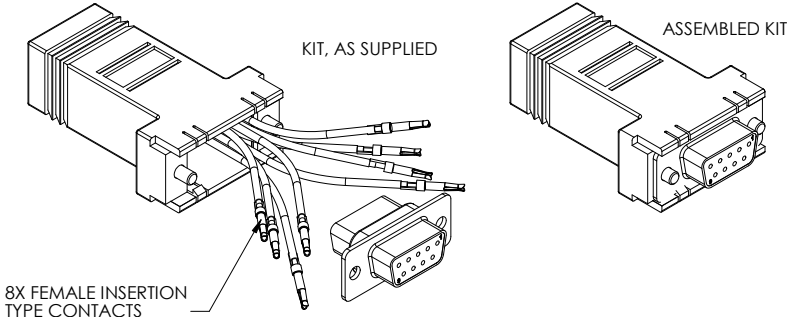


FEMALE 9 CONTACT D-SUB CONNECTOR

WIRING TABLE	
RJ45 JACK	COLOR CODE
PIN 1	BLUE
PIN 2	ORANGE
PIN 3	BLACK
PIN 4	RED
PIN 5	GREEN
PIN 6	YELLOW
PIN 7	BROWN
PIN 8	GRAY OR WHITE

Component Specifications	
Material	
Housing	ABS, UL 94V-0 rated Color: Light Gray
D-sub Shell	Steel
Insulator	PBT w/ Glass Fiber Fill (UL94V-0 rated)
D-sub Contacts	Phosphor Bronze
Jack Housing	ABS
Modular Contacts	Phosphor Bronze
Finish	
D-sub Shell front	Bright Tin/Nickel Plated
D-sub Shell Rear	Bright Tin Plated
D-sub Contacts	30 μinches Gold
Modular Contacts	30 μinches Gold
Environmental	
Operating Temperature Range	0°C to 65°C

CS-344



8X FEMALE INSERTION TYPE CONTACTS

APPROVALS	DATE
DRAWN BY TJC	11/30/01
CHECKED BY DFP	12/5/01
APPROVED BY CM	12/5/01

L-com 45 BEECHWOOD DRIVE
NORTH ANDOVER, MA 01845

PRODUCT DESCRIPTION
RJ45 TO DB9F MODULAR ADAPTOR

DRAWING TITLE
OUTLINE DRAWING

SIZE **A** FSCM NO. **43321** DWG. NO. **RBA098F-OD1** REV. **B**

SCALE: NONE CAD FILE: RBA098F-OD1.SLDDRW SHEET 1 OF 1

UNLESS OTHERWISE SPECIFIED DIMENSIONS ARE IN INCHES TOLERANCES ARE:
 .X ± .1
 .XX ± .05
 .XXX ± .005
 CABLE LENGTH TOLERANCE
 <300' ±5% >300' ±2%

CONFIGURATION DETAILS OF UNDIMENSIONED FEATURES MAY VARY