



International Components Corporation

Tel: 631-952-9595 • 800-645-9154 • Fax: 631-952-9597 • Email: oemsales@icc107.com



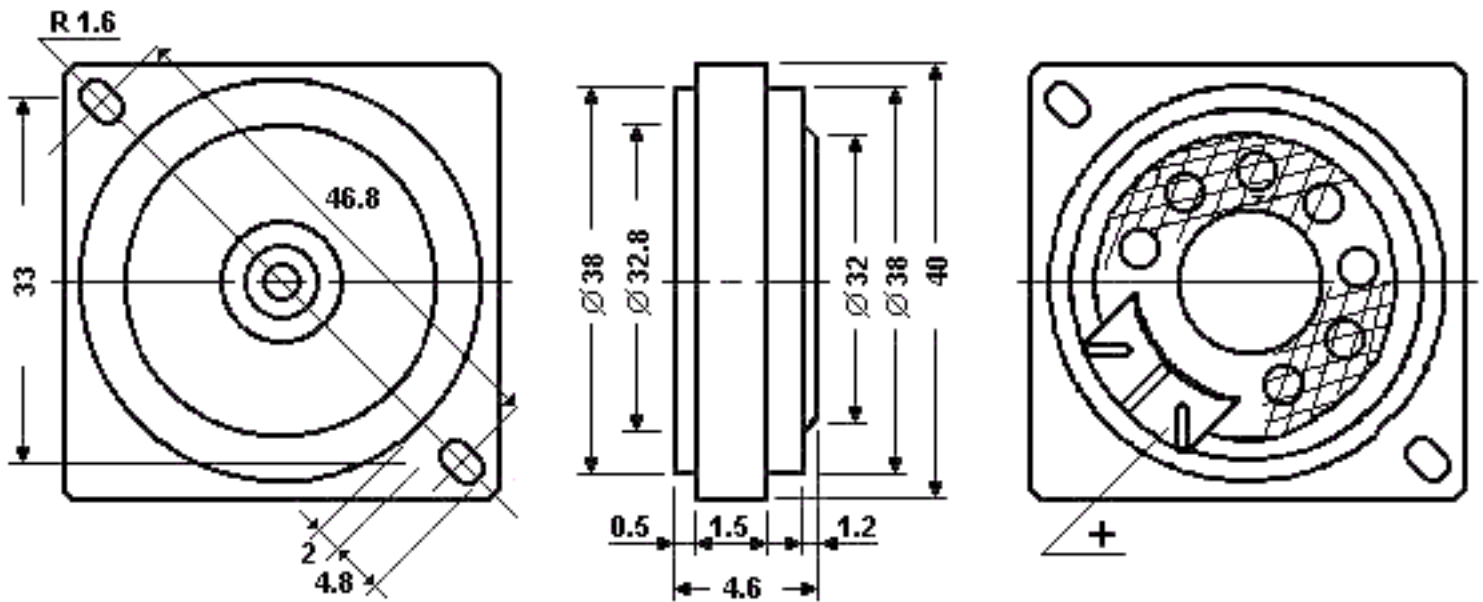
MICRO MINIATURE LOW PROFILE SQUARE SPEAKERS

Part Number: S150SLA

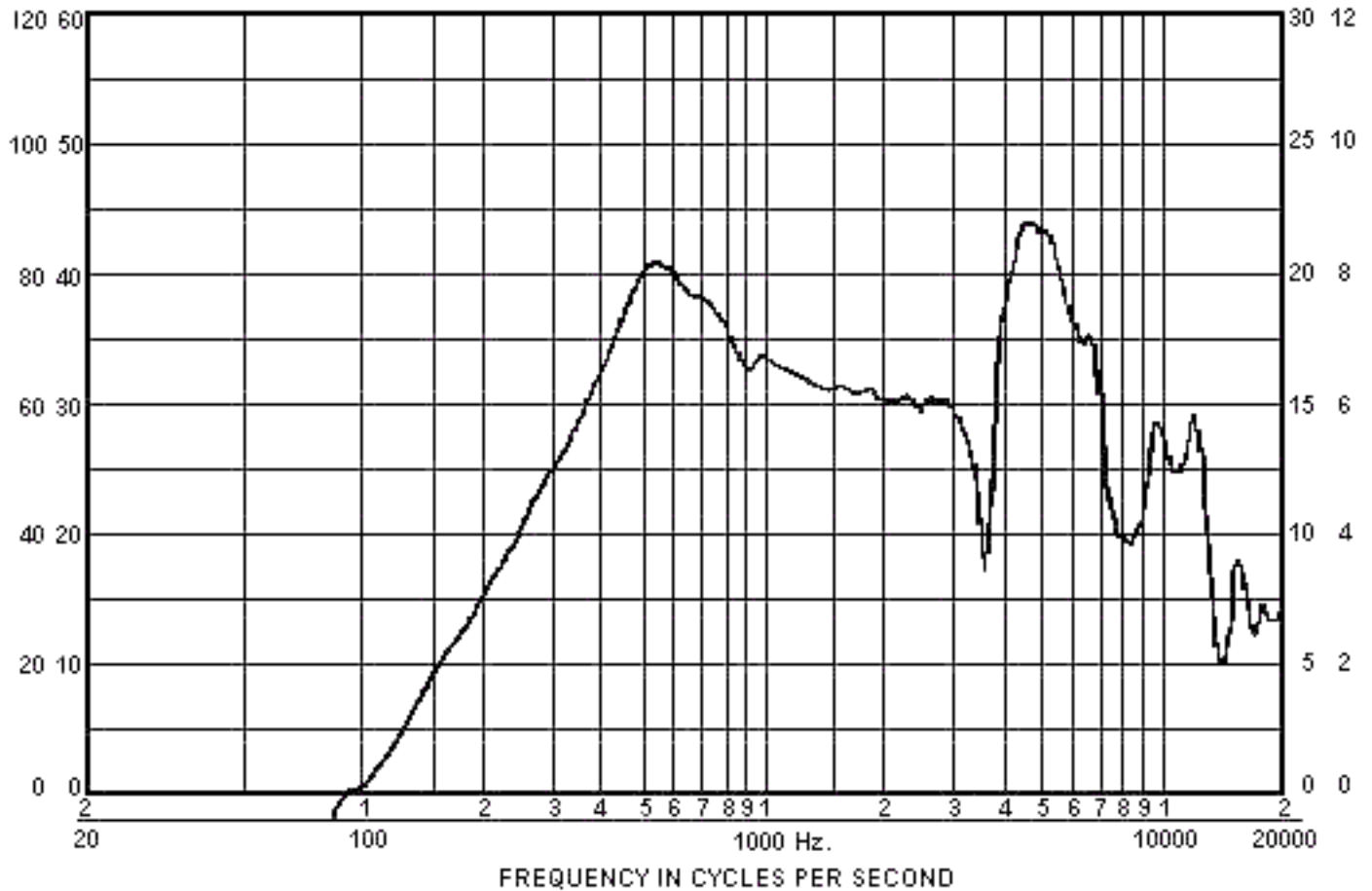
| | |
|--|---------------------------------|
| MODEL NUMBER | |
| FRAME DIAMETER (MM) | |
| FRAME DEPTH (MM) | |
| MATERIAL - CONE / FRAME | |
| MAGNET TYPE | |
| MAGNET: SIZE (MM) - WEIGHT (OUNCES/GRAMS) | |
| RATED POWER (WATTS): Nom. / Max. | S150SLA |
| | 40 x 40 |
| VOICE COIL IMPEDANCE (OHMS) | 4.5 |
| | MYLAR / ABS |
| RESONANT FREQUENCY (Hz) Without Baffle | RARE EARTH |
| | 12.5 x 1.5 - 0.056 / 1.4 |

| | |
|--|--|
| FREQUENCY RESPONSE (Hz) | 0.2 / 0.3 |
| | 7.2 ± 15% @ 1500 Hz |
| OUTPUT SOUND PRESSURE LEVEL (S.P.L.) | 460 ± 20% |
| | 250 ~ 7,000 ± 10 dB |
| MEASURED AT: | 81 ± 3 dB |
| | 1W @ 1M |
| MEAN VALUE AT: | 1.0, 1.2, 1.5, 2K Hz |
| OPERATION (MUST BE NORMAL) | PROGRAM SOURCE 1 W |
| | 1.26 VOLTS - SINE WAVE |
| | 10% MAXIMUM @ 1500 Hz |
| BUZZ & RATTLES (MUST BE NORMAL) | WEIGHTED FILTER @1.26V (RMS) 24 HRS |
| DISTORTION @ RATED POWER INPUT | N/A |
| | N/A |
| LOAD TEST (WHITE NOISE) | 26 |
| | 38 |
| HUMIDITY TEST | 32.8 |
| | 0.2 / 1.5 |
| HEAT TEST | 5.8 |
| | 46.6 - HOLES 4.8 x 3.2 |
| OUTSIDE DIAMETER OF YOKE SEAT (MM) | |
| OUTSIDE DIAMETER (ELIMINATE RIM) | |
| BAFFLE OPENING (MM) | |
| THICKNESS OF RIM (MM) | |
| NET WEIGHT (OUNCES/GRAMS) | |
| MOUNTING DIMENSIONS/DIAGONAL (MM) | |
| POLARITY: | |
| DIAPHRAGM SHALL MOVE FORWARD WHEN APPLYING A POSITIVE DC CURRENT TO THE "+" (OR MARKED) TERMINAL. | |
| *SPEAKER MUST MEET NORMAL OPERATION AND BUZZ & RATTLES SPECIFICATIONS | |

■ DIMENSIONS



TYPICAL FREQUENCY RESPONSE CURVE



Measuring Condition: 0.89 V 0.1 W 0.1 M
 Level Range: 60 dB

X Axis Speed: mm/sec
 Y Axis Speed: mm/sec

[Return to top](#)

All contents are Copyright © 1999 by International Components Corporation, All rights reserved.
This site was developed and is maintained by [Promptweb.com](#). For information, concerns or comments send e-mail to the [webmaster](#). (webmaster@pw2.com)
