

TE1

TE1

Panel cut-out (mm) Ø 16.2 or Ø 22.5 with adapter option

- Characteristics
- NC contact with 3 mm contact gap
 - < 20 mm behind panel depth
 - rotary, reset mechanism
 - sealed IP65
 - 1NC + 1NO or 2 NC circuits

Rating 250 VAC, 2 A

Dimensions (mm) Ø 25/Ø 30

Button Ø 40/on request

Actuator ■ red mushroom cap

Approvals EN 60947-1, EN 60947-5-1, EN 60947-5-5



Popular products

Ordering Reference	Panel cut-out (mm)	Function	Actuator size (mm)	Illumination	Environmental protection	Terminals (mm)	Electrical rating
TE180203101	Ø 16.2	Rotary reset 1NC + 1NO	Ø 25	Non illuminated	IP65	faston 2.8 × 0.5 (switching circuits)	250 VAC, 2A
TE180203102	Ø 16.2	Rotary reset 1NC + 1NO	Ø 30	Non illuminated	IP65	faston 2.8 × 0.5 (switching circuits)	250 VAC, 2A
TE180203201	Ø 16.2	Rotary reset 1NC + 1NO	Ø 25	Illuminated	IP65	faston 2.8 × 0.5 (switching circuits) pre wired (illumination circuit)	250 VAC, 2A
TE180203202	Ø 16.2	Rotary reset 1NC + 1NO	Ø 30	Illuminated	IP65	faston 2.8 × 0.5 (switching circuits) pre wired (illumination circuit)	250 VAC, 2A
TE180204101	Ø 16.2	Rotary reset 2NC	Ø 25	Non illuminated	IP65	faston 2.8 × 0.5 (switching circuits)	250 VAC, 2A
TE180204102	Ø 16.2	Rotary reset 2NC	Ø 30	Non illuminated	IP65	faston 2.8 × 0.5 (switching circuits)	250 VAC, 2A
TE180204201	Ø 16.2	Rotary reset 2NC	Ø 25	Illuminated	IP65	faston 2.8 × 0.5 (switching circuits) pre wired (illumination circuit)	250 VAC, 2A
TE180204202	Ø 16.2	Rotary reset 2NC	Ø 30	Illuminated	IP65	faston 2.8 × 0.5 (switching circuits) pre wired (illumination circuit)	250 VAC, 2A
TH880200029	Ø 22.5	Adapter set					

Specifications

Mechanism	Latching positive action
Contact gap	≥3 mm
Actuating force	Approximately 30 N
Mounting	Central fixing with metal lock nut
Protection	IP65 (Pollution degree 3, Overvoltage category III)
Illumination	LED 24V dc, 10 mA
Temperature range °C	-25°C to +55°C
Contact material	Silver nickel with 0.4 µm gold plating
Contact resistance	<30 mOhm (new unused product)
Contact configuration	1 NC + 1 NO or 2 NC independent circuits
Terminals	Faston 4 × 2.8 mm × 0.5 mm (switching circuits) pre wired (illumination circuit)

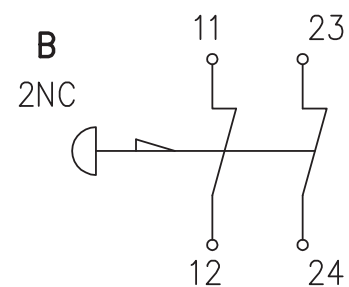
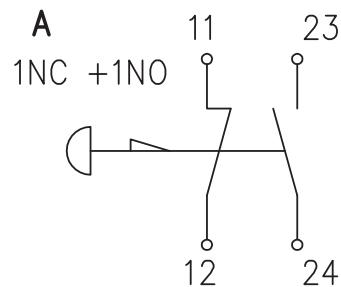
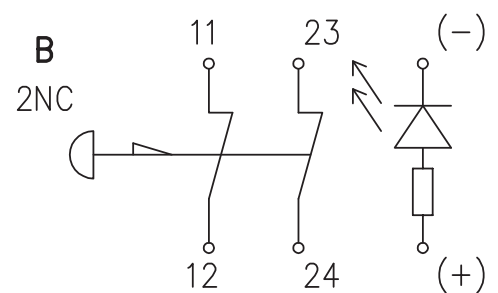
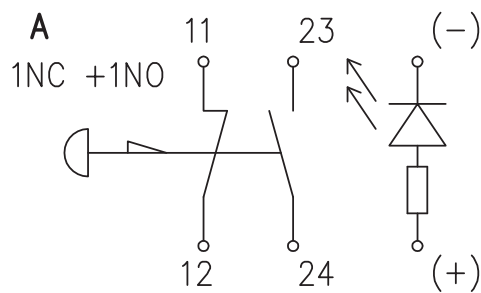
Recommended maximum electrical ratings

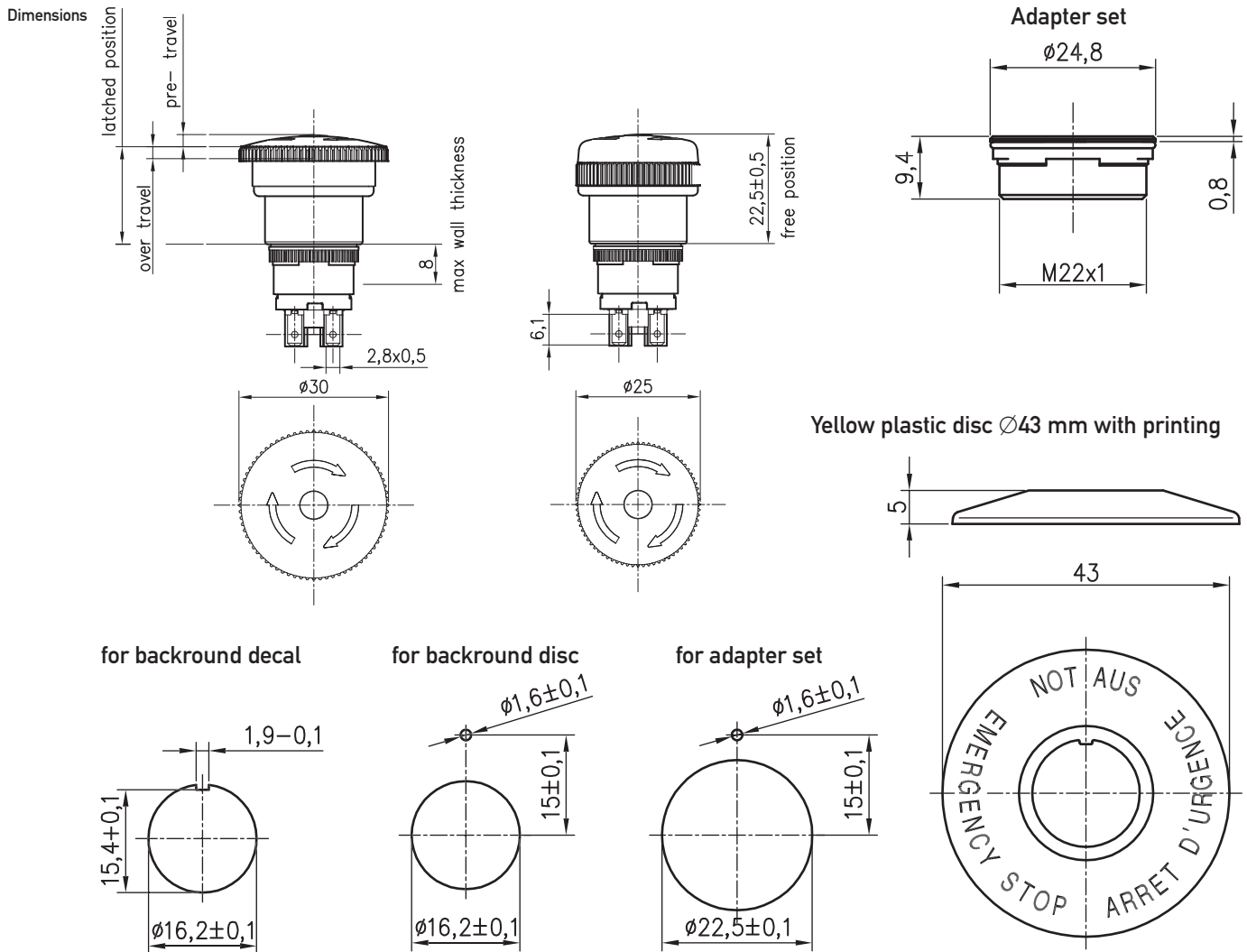
Voltage (max)	Resistive load (A)	Approval
250 VAC	2.0	EN 60947

Electrical life	6,050 cycles at 2A, 250V, AC15
Mechanical life	30,000 cycles

Circuit diagram

Illuminated





Ordering Reference

Basic type	TE1	Example: TE1 80 203 1 01		
Reset mechanism	80 Rotary			
Circuit configuration	203 1 normally closed and 1 normally open circuit 204 2 normally closed circuits			
	1 Non-illuminated 2 Illuminated			
Actuator style	01 Ø 25 mm 02 Ø 30 mm			
Accessories	TH893002000 Yellow plastic disc Ø 43 mm with printing TH893011000 Yellow self-adhesive label Ø 43 mm with printing TH893000000 Yellow plastic adaptor Ø 43 mm with printing TH880200029 Adapter set 22.5 mm	For 16.2 mm panel cut-out For 16.2 mm panel cut-out For 22.5 mm panel cut-out For 22.5 mm panel cut-out		