

Brilliance by design

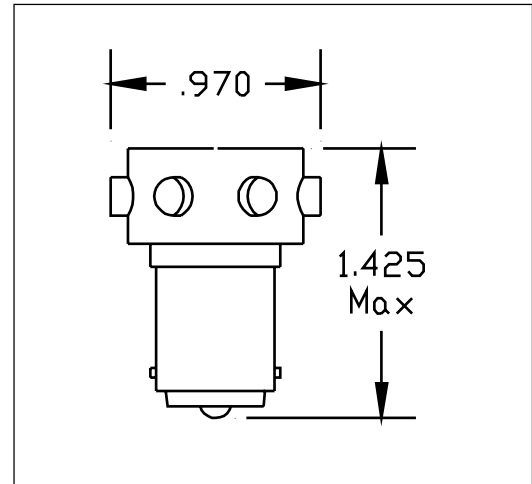
S8 Model 460 Machine Signal Stack Light

MODEL 460

Bayonet base LED stack light. 360 degree viewing angle. All models are dual polarity which accommodates positive center, negative center and AC applications.

FEATURES

- Low power consumption
- Long life
- Double contact bayonet base
- Versatile applications



460

HOW TO ORDER

<u>Voltage</u>	<u>Model No.</u>
24V	460-24X
28V	460-28X
60V	460-60X
120V	460-120X

Where the 'X' appears insert: 1-Red, 2-Green, 3-Yellow, 4-Amber, 5-Ultra Green, 6-Ultra Blue, 7-Pure White

NOTE:

*for voltage/current specs, see page 7-9

SloanLED

7-5

Brilliance by design

LED Replacements for Incandescent Lamps

LED Specifications and Technical Data

LED data for models 160, 162, 164, 460, 510, 516, 522, 532, 513, 541

Color Choice	LED Size	Raw Chip Material	Emitted Color	Wave Length	Viewing Angle (Deg.)	Iv (mcd) Typical	If (mA) Typical	Vf (V) Typical
1	T 1-3/4	GaAlAs	Red	660	22	3000-4000	20	2.1
2	T 1-3/4	Gap	Green	565	20	750	20	1.8
3	T 1-3/4	AllnGap	Yellow	595	22	2000-3000	25	2.1
4	T 1-3/4	AllnGap	Amber	611	22	2000-3000	25	2.1
5	T 1-3/4	InGaN	Ultra Green	575	30	2200	25	3.5
6	T 1-3/4	InGaN	Blue	470	30	500	25	3.5
7	T 1-3/4	InGaN/ YAG	Pure White		45	1200	25	3.5

LED data for models 159, 197, 311

Color Choice	LED Size	Raw Chip Material	Emitted Color	Wave Length	Viewing Angle (Deg.)	Iv (mcd) Typical	If (mA) Typical	Vf (V) Typical
1	T-1	GaAlAs	Red	660	30	1250	20	1.8
2	T-1	Gap	Green	568	20	500	20	1.8
3	T-1	AllnGap	Yellow	595	30	500	25	2.1
4	T-1	AllnGap	Amber	611	30	500	25	2.1
5	T-1	InGaN	Ultra Green	575	30	1700	25	3.5
6	T-1	InGaN	Blue	470	30	650	25	3.5
7	T-1	InGaN/ YAG	Pure White		45	630	25	3.5

Note: The specifications listed above are subject to change. For special LED requirements and color please contact SloanLED.