

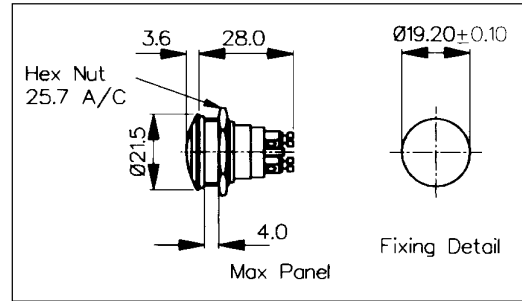
Stainless Steel Domed Vandal Resistant

FRONT PANEL MOUNTING



MP0037/3
Sealed to IP68

- Front Panel Sealed to IP68
- 21.5mm diameter
- Domed Profile
- S.P. Push to Make
- 1A, 50V

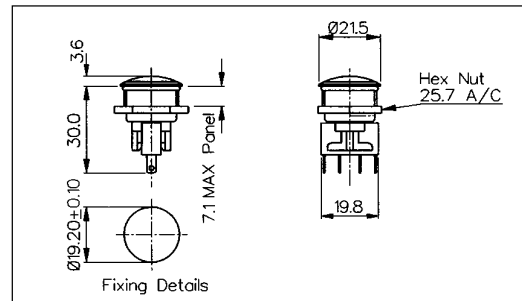


FRONT PANEL MOUNTING



MP0031/3
Sealed to IP66

- Front Panel Sealed to IP66
- 21.5mm diameter
- Domed Profile
- S.P.C.O. Microswitch
- 5A, 250V a.c.

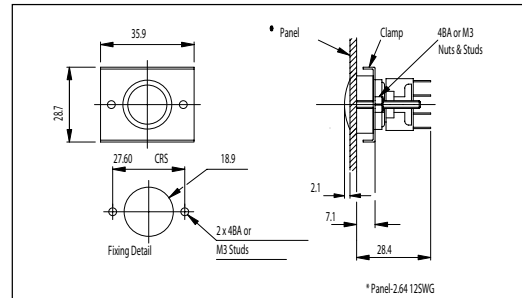


REAR PANEL MOUNTING



MP0034/3

- Rear Panel Mounting
- 19mm diameter
- Domed Profile
- S.P.C.O. Microswitch
- 5A, 250V a.c.



| Specification | MP0037/3 | MP0031/3 | MP0034/3 |
|--------------------------------|--|---|--|
| Terminations: | Screw Terminals | Solder Tags | Solder Tags |
| Switching: | S.P. Push to make Momentary action | S.P.C.O. Momentary Action (Microswitch) | S.P.C.O. Momentary Action (Microswitch) |
| Max. Rating: | 1A, 50V | 5A, 250V a.c. | 5A, 250V a.c. |
| Contact Resistance: | <10mΩ | <10mΩ | <10mΩ |
| Insulation Resistance: | >10 ⁵ MΩ | >10 ³ MΩ. | >10 ³ MΩ |
| Dielectric Strength: | >1.0kV a.c. | >2.0kV a.c. | >2.0kV a.c. |
| Operating Temp. Range: | -20°C to +70°C | -20°C to +70°C | -20°C to +70°C |
| Sealing (Front of panel only): | Protection Classification: IP68 EN60529 1992 (Terminals not sealed) | Protection Classification: IP66 EN60529 1992 (Micro switch not sealed) | - |
| Operations | | | |
| Mechanical: | 1,000,000 (min) | 1,000,000 (min) | 250,000 (min) |
| Electrical: | 30,000 (min) | 35,000 (min) | 35,000 (min) |
| Operating Pressure: | 7.5N (typ) | 4.7N (typ) | 2.7N (typ) |
| Rear Nut Fixing Torque: | 0.57Nm | 0.57Nm | - |
| Materials | | | |
| Mouldings: | Glass Filled Nylon | Glass Filled Nylon | Glass Filled Nylon |
| Tags/Terminations: | Brass, Silver Plated | Brass, Tin Plated | Brass, Tin Plated |
| Switch Body & Button: | Stainless Steel | Stainless Steel | Stainless Steel |
| Contacts: | Brass, Silver Plated, Silver | Fine Silver | Fine Silver |
| Variants: | | Non-Rotating Button, details on request | |
| RoHS | Compliant | Compliant | Compliant |