

- Back**
- o Flat Cable Connectors SEK
 - o *har-mik*@
 - o D-Sub
 - o InduCom

• **Applications**

Product details

09 56 500 5601 **High density cable connector**

Gender	Male High Density
Termination	Crimp
Number of contacts	78
Flange	through hole 3.1 mm
Shell	tinned metal shell with dimples
Insulation material	PBTP
Contact configuration	contacts must be order separately
RoHS compliant	Yes

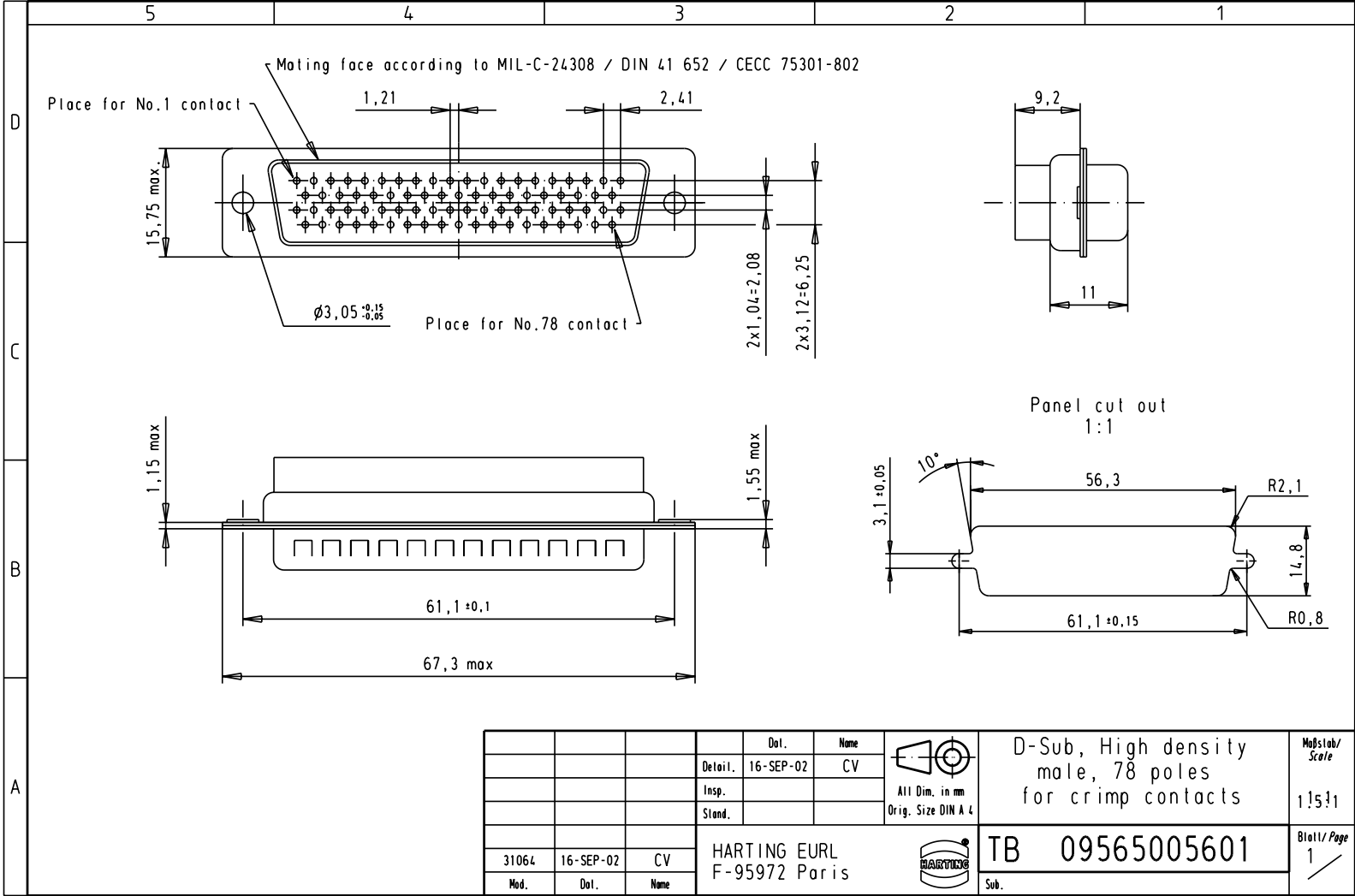
Inquiry

Available Downloads

Title	Format	
Data sheet	PDF	download
CAD data 2D	DXF	download

Product news

Alle Rechte vorbehalten / All rights reserved



				Dat.	Name	 All Dim. in mm Orig. Size DIN A 4	D-Sub, High density male, 78 poles for crimp contacts	Maßstab/ Scale 1:1
			Detail.	16-SEP-02	CV			
			Insp.					
			Stand.					
31064	16-SEP-02	CV	HARTING EURL F-95972 Paris				TB 09565005601	Blatt / Page 1 /
Mod.	Dat.	Name	Sub.					