

AH/ADH - Power PCB Transformer - Horizontal Split Bobbin



Features

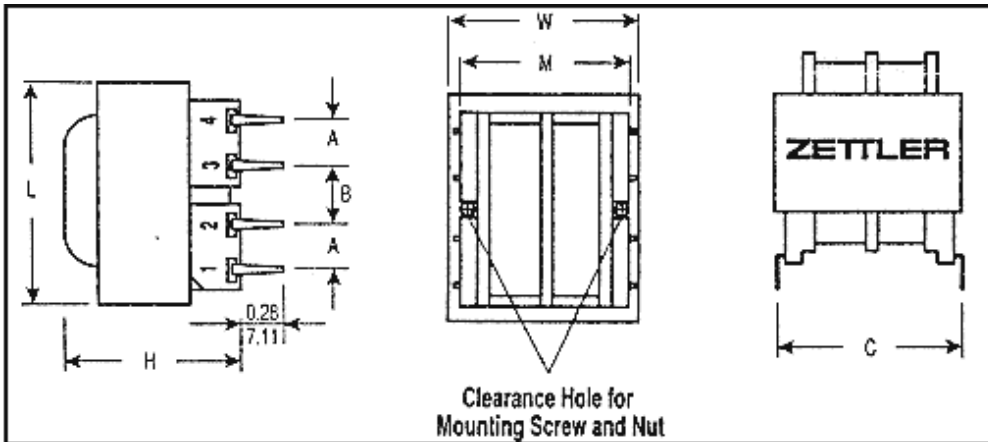
- Is UL recognized for use in the US and Canada
- UL approved Class B (130° C) Insulation System
- Split Bobbin Design
- Dielectric Strength 2500 Vrms
- Single 115V and dual 115/230V primaries at 50/60Hz are offered as standard
- Standard Dual Secondaries for a Variety of Applications
- Precision Molded-in Terminals
- Available in 6 Standard Sizes for a Variety of Power Requirements

Outline Dimensions

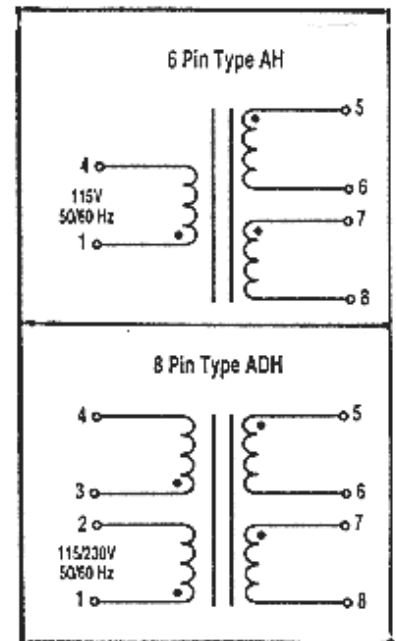
Inches .xxx ± 0.010
mm .xx ± 0.25



SIZE	VA	L	W	H	M	A	B	C	WT. (lbs.)
2	1.1	$\frac{1.375}{34.93}$	$\frac{1.125}{28.58}$	$\frac{0.930}{23.62}$	—	$\frac{0.250}{6.35}$	$\frac{0.250}{6.35}$	$\frac{1.220}{30.99}$	0.17
3	2.4	$\frac{1.375}{34.93}$	$\frac{1.125}{28.58}$	$\frac{1.170}{29.72}$	—	$\frac{0.250}{6.35}$	$\frac{0.250}{6.35}$	$\frac{1.220}{30.99}$	0.25
4	6.0	$\frac{1.625}{41.28}$	$\frac{1.313}{33.35}$	$\frac{1.290}{32.77}$	$\frac{1.063}{26.99}$	$\frac{0.250}{6.35}$	$\frac{0.350}{8.89}$	$\frac{1.280}{32.51}$	0.44
5	12.0	$\frac{1.875}{47.63}$	$\frac{1.563}{39.69}$	$\frac{1.410}{35.81}$	$\frac{1.250}{31.75}$	$\frac{0.300}{7.62}$	$\frac{0.400}{10.16}$	$\frac{1.400}{35.56}$	0.70
6	20.0	$\frac{2.250}{57.15}$	$\frac{1.875}{47.63}$	$\frac{1.410}{35.81}$	$\frac{1.500}{38.10}$	$\frac{0.300}{7.62}$	$\frac{0.400}{10.16}$	$\frac{1.590}{40.39}$	0.80
7	36.0	$\frac{2.625}{66.68}$	$\frac{2.188}{55.56}$	$\frac{1.560}{39.62}$	—	$\frac{0.400}{10.16}$	$\frac{0.400}{10.16}$	$\frac{1.840}{46.74}$	1.1



		Secondary RMS Rating	
Single 115V 6 PIN	Dual 115V/230V 8 PIN	Series	Parallel
AH20010	ADH20010	10VCT @ 0.110A	5V @ 0.220A
AH30010	ADH30010	10VCT @ 0.250A	5V @ 0.500A
AH40010	ADH40010	10VCT @ 0.600A	5V @ 1.200A
AH50010	ADH50010	10VCT @ 1.200A	5V @ 2.400A
AH60010	ADH60010	10VCT @ 2.000A	5V @ 4.000A
AH20012	ADH20012	12.6VCT @ 0.090A	6.3V @ 0.180A
AH30012	ADH30012	12.6VCT @ 0.200A	6.3V @ 0.400A
AH40012	ADH40012	12.6VCT @ 0.500A	6.3V @ 1.000A
AH50012	ADH50012	12.6VCT @ 1.000A	6.3V @ 2.000A
AH60012	ADH60012	12.6VCT @ 1.600A	6.3V @ 3.020A
AH20016	ADH20016	16VCT @ 0.070A	8V @ 0.140A
AH30016	ADH30016	16VCT @ 0.150A	8V @ 0.300A
AH40016	ADH40016	16VCT @ 0.400A	8V @ 0.800A
AH50016	ADH50016	16VCT @ 0.800A	8V @ 1.600A
AH60016	ADH60016	16VCT @ 1.250A	8V @ 2.500A
AH20020	ADH20020	20VCT @ 0.050A	10V @ 0.110A
AH30020	ADH30020	20VCT @ 0.120A	10V @ 0.240A
AH40020	ADH40020	20VCT @ 0.300A	10V @ 0.600A
AH50020	ADH50020	20VCT @ 0.600A	10V @ 1.200A
AH60020	ADH60020	20VCT @ 1.000A	10V @ 2.000A
AH20024	ADH20024	24VCT @ 0.045A	12V @ 0.090A
AH30024	ADH30024	24VCT @ 0.100A	12V @ 0.200A
AH40024	ADH40024	24VCT @ 0.250A	12V @ 0.500A
AH50024	ADH50024	24VCT @ 0.500A	12V @ 1.000A
AH60024	ADH60024	24VCT @ 0.800A	12V @ 1.600A
AH20028	ADH20028	28VCT @ 0.040A	14V @ 0.080A
AH30028	ADH30028	28VCT @ 0.085A	14V @ 0.170A
AH40028	ADH40028	28VCT @ 0.200A	14V @ 0.400A
AH50028	ADH50028	28VCT @ 0.420A	14V @ 0.840A
AH60028	ADH60028	28VCT @ 0.700A	14V @ 1.400A
AH20036	ADH20036	36VCT @ 0.030A	18V @ 0.060A
AH30036	ADH30036	36VCT @ 0.065A	18V @ 0.130A



[AH50028](#)
[AH60028](#)
[AH20036](#)
[AH30036](#)
[AH40036](#)
[AH50036](#)
[AH60036](#)
[AH20048](#)
[AH30048](#)
[AH40048](#)
[AH50048](#)
[AH60048](#)
[AH20056](#)
[AH30056](#)
[AH40056](#)
[AH50056](#)
[AH60056](#)
[AH200120](#)
[AH300120](#)
[AH400120](#)
[AH500120](#)
[AH600120](#)

[ADH50028](#)
[ADH60028](#)
[ADH20036](#)
[ADH30036](#)
[ADH40036](#)
[ADH50036](#)
[ADH60036](#)
[ADH20048](#)
[ADH30048](#)
[ADH40048](#)
[ADH50048](#)
[ADH60048](#)
[ADH20056](#)
[ADH30056](#)
[ADH40056](#)
[ADH50056](#)
[ADH60056](#)
[ADH200120](#)
[ADH300120](#)
[ADH400120](#)
[ADH500120](#)
[ADH600120](#)

36VCT @ 0.170A
36VCT @ 0.350A
36VCT @ 0.550A
48VCT @ 0.023A
48VCT @ 0.050A
48VCT @ 0.125A
48VCT @ 0.250A
48VCT @ 0.400A
56VCT @ 0.020A
56VCT @ 0.045A
56VCT @ 0.110A
56VCT @ 0.220A
56VCT @ 0.350A
120VCT @ 0.010A
120VCT @ 0.020A
120VCT @ 0.050A
120VCT @ 0.100A
120VCT @ 0.160A

18V @ 0.340A
18V @ 0.700A
18V @ 1.100A
24V @ 0.046A
24V @ 0.100A
24V @ 0.250A
24V @ 0.500A
24V @ 0.800A
28V @ 0.040A
28V @ 0.090A
28V @ 0.220A
28V @ 0.440A
28V @ 0.700A
60V @ 0.020A
60V @ 0.040A
60V @ 0.100A
60V @ 0.200A
60V @ 0.320A