



## Electrical Test Equipment

### 5000 Series Panel Meters



The 5000 Series consists of a popular industrial styled Lexan case that has a gasket for harsh environmental applications which seal out dust and other air-suspended damaging particles. A Nema 4 external gasket is optional. This Series is available with optional stud placement configurations for panel interchangeability. This built-in interchangeability eliminates the need for panel changes, setups and redressing of panels... it solves your instrument replacement problems.

### Features & Benefits

- **Mounting Options**

The cases are interchangeable with a variety of competitive instruments and standard stud placements. The built in interchangeability eliminates the need for drawing changes, setups and redrilling of panels.

- **Gasket Sealing Design**

Industry Standard Dust resistant construction is a standard feature and the unique gasket sealing design provides good gasket sealing while allowing for quick modification and scale changes while maintaining the integrity of the instrument.

- **Dustproof Lexan Construction**

The feature gasketed construction to seal out dust and other air-suspended damaging particles. The 5000 series is made with UL 94V material. Ideal where impact and strength is required in harsh environments



**5015 - D.C. Moving Coil**  
**5016R - A.C. Rectifier**



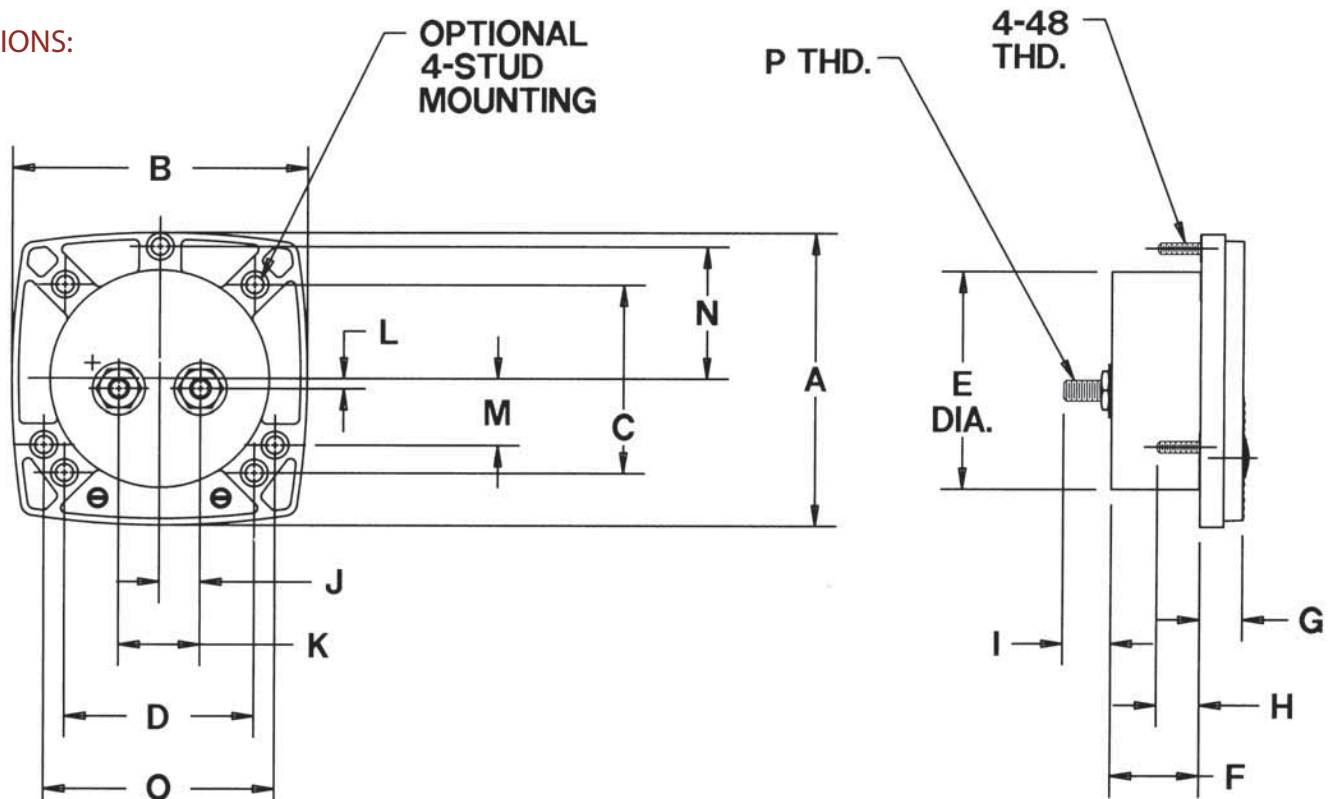
**5025 - D.C. Moving Coil**  
**5026 - A.C. Repulsion**



**5035 - D.C. Moving Coil**  
**5036 - A.C. Repulsion**

MODELS	A	B	C	D	E	F	G	H	I	J	K	L	M	N	O	P
<b>5015/16R</b>	1.76	1.76	1.31	1.31	1.50	1.08	0.48	0.50	0.50	0.48	0.97	-0.22	-	-	-	10-32
<b>5025/26</b>	2.71	2.71	1.88	1.88	2.08	1.06	0.47	0.50	0.50	0.48	0.97	0.00	0.61	1.22	2.11	1/4-28
<b>5035/36</b>	3.50	3.50	2.25	2.25	2.60	1.05	0.50	0.50	0.50	0.48	0.97	0.13	0.79	1.58	2.74	1/4-28

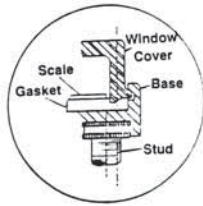
## DIMENSIONS:



Our policy is one of continuous development and we reserve the right to supply products different in design and appearance from those described. As development is continuous, we reserve the right to alter specifications without notice.



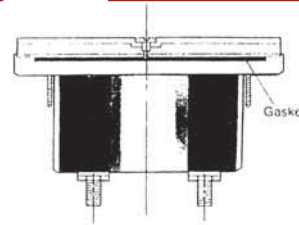
# HOYT 5000 Series Offers These Advantages...



## Gasket Sealing Design.

Dust resistant construction is a standard feature in the 5000 Series panel instruments. This unique sealing design provides exceptional gasket sealing while allowing for quick modification and scale changes while maintaining the integrity of the instrument.

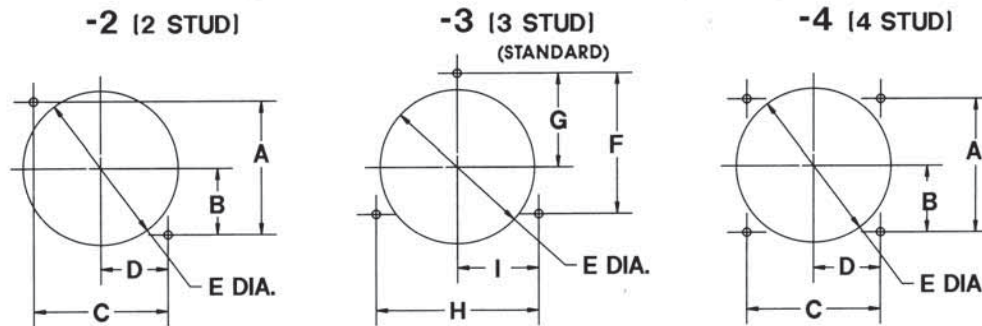
\*External panel gasket available.



## Dustproof Lexan® Construction

5000 series panel meters feature gasketed construction to seal out dust and other air-suspended damaging particles. The 5000 series is made with UL 94V material. Ideal where impact and strength is required in harsh environments.

## Mounting In Your Present Panel Opening...



MODELS	A	B	C	D	E	F	G	H	I
5015/16R	1.31	0.66	1.31	0.66	1.59	-	-	-	-
5025/26	1.88	0.94	1.88	0.94	2.18	1.83	1.22	2.11	1.06
5035/36	2.25	1.12	2.25	1.12	2.66	2.37	1.58	2.74	1.37

The mounting studs on the 5000 series can be ordered to fit your existing panel openings at no extra cost. The 5000 series cases are interchangeable with a wide variety of competitive instruments. Optional stud placement configurations are shown above. This built-in interchangeability eliminates the need for drawing changes, setups, and redrilling of panels...and it solves your instrument replacement problems.



## Recognized meters available

### METER TYPES AVAILABLE

- DC** Microammeters  
Milliammeters  
Ammeters  
Millivoltmeters  
Voltmeters  
Pyrometers  
Hourmeters

- AC** Frequency Meters - Pointer type  
Iron Vane or Rectifier type  
Voltmeters  
Ammeters  
Hourmeters

### Accuracy: All DC and AC: ±2% of full scale

AC rectifier type ±3% of full scale (with 60 HS sine wave at 25°C). When standard 60 HZ iron vane ammeters are used at the extreme limits of 25 or 400 HZ, additional error (approx..75%) may be experienced. Expanded scale voltmeters ±2% of full scale value.

### ANSI Specifications:

All meters meet ANSI Specifications C39.1

### Overload:

Voltmeters (AC and DC) - 50% momentary  
20% sustained. Ammeters (AC and DC)  
momentary: 10 times the rated current for  
10 consecutive intervals of .5 seconds with  
a 1 minute interval between successive  
applications; 20% for six hours.

### Scale Data:

90 degree rotation.

### Insulation Level:

All meters 2600 V RMS

### How To Order...

To order the Hoyt 5000 panel meters use the appropriate ranges from the price sheet. AC meters require part numbers 5026 or 5036. DC Part numbers 5025 or 5035.

### ORDERING EXAMPLES:

1. 2-1/2", 300 VDC Voltmeter, zero left

Example: 5025, 0-300 VDC

2. 3-1/2", 300 AAC Ammeter, zero left

Example: 5036, 5 AAC, 300 AAC

### NOTE:

Severe Duty meters are available to meet UL 1437 requirements. To order add "-UL" after catalog number.

