

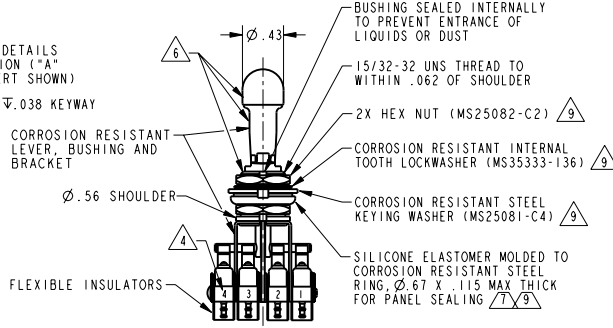
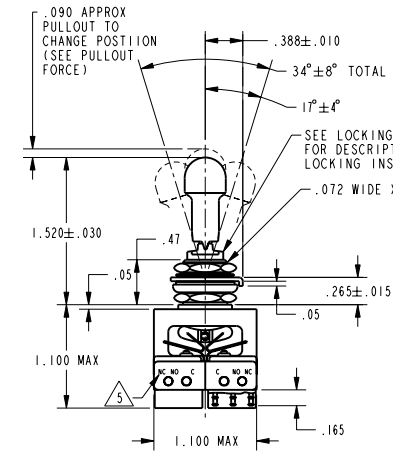
CATALOG LISTING 68AT303 SERIES CHART 2  
 ISSUE 3  
 REVISIONS:  
 A 203356  
 B 206022  
 C 206022  
 D 206022  
 PTC/CAD 20  
 DRAWN GJW  
 CHECK SAV  
 DATE 28 JUN 01  
 RELEASE NO. PR-22129  
 REPLACES -

MICRO SWITCH  
 a Honeywell Division  
 FED. MFG. CODE #1929

ASSEMBLY-  
 TOGGLE SWITCH  
 CHART 2

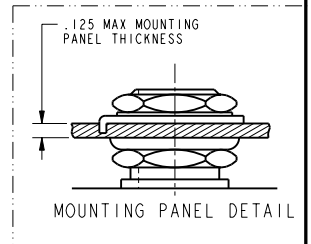
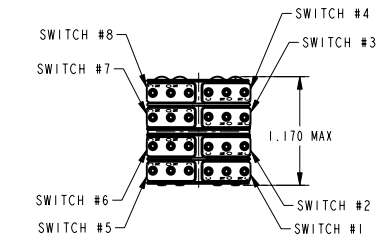
CATALOG LISTING  
 CHART 2

| CATALOG LISTING | KEYWAY POSITION |             | CENTER POSITION |        | OPPOSITE KEYWAY POSITION |             | RECOMMENDED LOCKING COMBINATIONS      |
|-----------------|-----------------|-------------|-----------------|--------|--------------------------|-------------|---------------------------------------|
|                 | C - NC          | C - NO      | C - NO          | C - NC | C - NC                   | C - NO      |                                       |
| 68AT303-1       | 1, 2, 3, 4      | 5, 6, 7, 8  | NONE            | ALL    | 5, 6, 7, 8               | 1, 2, 3, 4  | A, B, D, E, F, G, H, J, K, L, M, N, P |
| 68AT303-3       | 1, 2, 3, 4      | 5, 6, 7, 8  | NONE            | NONE   | 5, 6, 7, 8               | 1, 2, 3, 4  | D, F, G                               |
| 68AT303-5       | 1, 2, 3, 4*     | 5, 6, 7, 8* | NONE            | ALL    | 5, 6, 7, 8*              | 1, 2, 3, 4* | E, F, K, L, M, N                      |
| (A)             | 1, 2, 3, 4*     | 5, 6, 7, 8* | NONE            | ALL    | 5, 6, 7, 8*              | 1, 2, 3, 4* | E, L, N                               |



|  |  |  |  |
|--|--|--|--|
| *A<br>8<br>LOCKED IN THREE POSITIONS                         | *B<br>8<br>LOCKED IN CENTER AND EXTREME POS. (KEYWAY SIDE) | *D<br>8<br>LOCKED OUT OF CENTER POSITION                       | *E<br>8<br>LOCKED IN CENTER POSITION                           |
| *F<br>8<br>LOCKED IN EXTREME POS. (OPP. KEYWAY)              | *G<br>8<br>LOCKED IN EXTREME POS. (KEYWAY SIDE)            | *H<br>8<br>LOCKED OUT OF CENTER AND EXTREME POS. (KEYWAY SIDE) | *J<br>8<br>LOCKED OUT OF CENTER AND EXTREME POS. (OPP. KEYWAY) |
| *K<br>8<br>LOCKED IN CENTER AND EXTREME POS. (OPP. KEYWAY)   | *L<br>8<br>LOCKED OUT OF EXTREME POS. (KEYWAY SIDE)        | *M<br>8<br>LOCKED OUT OF AND INTO EXTREME POS. (OPP. KEYWAY)   | *N<br>8<br>LOCKED OUT OF EXTREME POS. (OPP. KEYWAY)            |
| *P<br>8<br>LOCKED OUT OF AND INTO EXTREME POS. (KEYWAY SIDE) |  |  |  |

- NOTES
- UNIT INCLUDES 8X "SX" TYPE BASIC SWITCH (MEETS REQUIREMENTS OF MIL-PRF-8805/4)
  - SWITCHES DO NOT NECESSARILY OPERATE SIMULTANEOUSLY
  - TERMINALS ARE PLATED FOR SOLDERING
  - SWITCH NUMBERS STAMPED ON END OF BASIC SWITCHES
  - TERMINAL DESIGNATION STAMPED ON BOTH SIDES OF UNIT
  - DULL FINISH ON BUTTON, LEVER, AND BUSHING
  - FOR PANEL SEAL TO BE EFFECTIVE MOUNTING HOLE IN PANEL SHOULD NOT EXCEED Ø.500
  - SUFFIX LETTER MUST BE ADDED FOR DESIRED TYPE TOGGLE LOCKING (SEE CHART FOR RECOMMENDED LOCKING COMBINATIONS)
  - HARDWARE FURNISHED ASSEMBLED WITH SWITCH OR IN PACKET PER MIL-PRF-8805
  - REPLACEMENT MOUNT HARDWARE PACKET 15PA314-AT



|  |                                |   |                          |                          |                  |
|--|--------------------------------|---|--------------------------|--------------------------|------------------|
| THIS DRAWING COVERS A PROPRIETARY ITEM AND IS THE PROPERTY OF MICRO SWITCH, A DIVISION OF HONEYWELL. THIS DRAWING IS NOT TO BE COPIED OR USED WITHOUT THE APPROVAL OF MICRO SWITCH |                                | THIRD ANGLE PROJECTION                    | ELECTRICAL RATINGS       |                          |                  |
| CHARACTERISTICS  | ELECTRICAL DATA                | SCALE FULL                                | SEA LEVEL                |                          |                  |
| PULLOUT FORCE --- 3 LB MIN --- 5 LB MAX  | CONTACT ARRANGEMENT 8X S P D T | DO NOT SCALE PRINT                        | LOAD                     | 28 Vdc (AMPERES)         | 50,000 FT        |
|  |                                | UNLESS OTHERWISE SPECIFIED TOLERANCES ARE |                          | 115 Vac, 60 Hz (AMPERES) | 28 Vdc (AMPERES) |
|  |                                | ONE PLACE (.01) ±.030                     | RESISTIVE                | 7                        | 4                |
|  |                                | TWO PLACE (.00) ±.015                     | INDUCTIVE                | 4                        | 2.5              |
|  |                                | THREE PLACE (.000) ±.005                  |                          |                          |                  |
|  |                                | ANGLES ±                                  |                          |                          |                  |
|  |                                | WEIGHT .09 LB EST.                        | ANSI Y14.5M-1982 APPLIES |                          |                  |