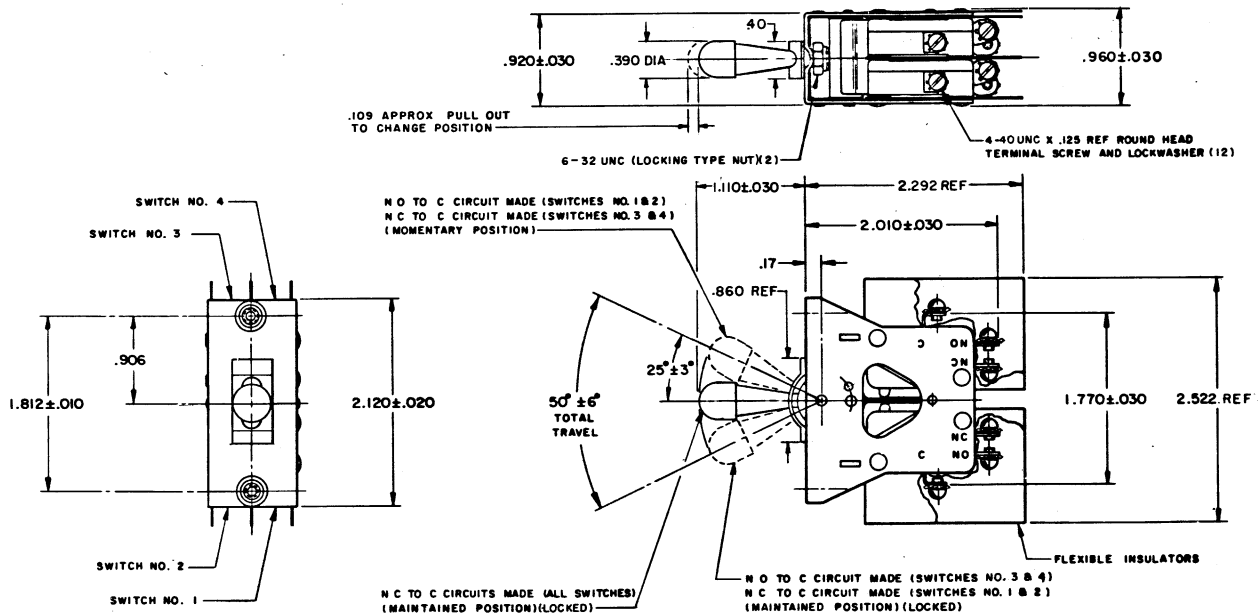


MICRO SWITCH
A DIVISION OF MINNEAPOLIS-HONEYWELL REGULATOR COMPANY
 FEDERAL MFR. CODE 91929

**ASSEMBLY-
TOGGLE SWITCH**

CATALOG LISTING
115 AT 2



115AT2
 M
 7
 ISSUE
 REVISIONS
 A PR-5681
 K S W
 B 074181
 T S M
 20 JAN 50
 CHECK
 C E B
 4 MARCH 76
 K S W
 3 MARCH 76
 DRAWN
 02-00378-003

THIS DRAWING COVERS A PROPRIETARY ITEM AND IS THE PROPERTY OF MICRO SWITCH, A DIVISION OF MINNEAPOLIS-HONEYWELL REGULATOR CO. THIS DRAWING IS NOT TO BE COPIED OR USED WITHOUT THE APPROVAL OF MICRO SWITCH.

CHARACTERISTICS	ELECTRICAL DATA	SCALE FULL
	CONTACT ARRANGEMENT S P D T (4)	DO NOT SCALE PRINT
	ISA - 1/3 HP - 125 OR 250 VAC 1/2 A - 125 VDC; 1/4 A - 250 VDC	UNLESS OTHERWISE SPECIFIED DIMENSIONS ARE IN INCHES
		TOLERANCES ARE:
		ONE PLACE (.00) 2.000
		TWO PLACE (.000) 2.000
		THREE PLACE (.0000) 2.000
		ANGLES 2
		WEIGHT

NOTE:
 1 - UNIT INCLUDES CAT. LIST. V3-201 (4) BASIC SWITCH
 2 - SWITCHES DO NOT NECESSARILY OPERATE SIMULTANEOUSLY