

## 110/216-Series



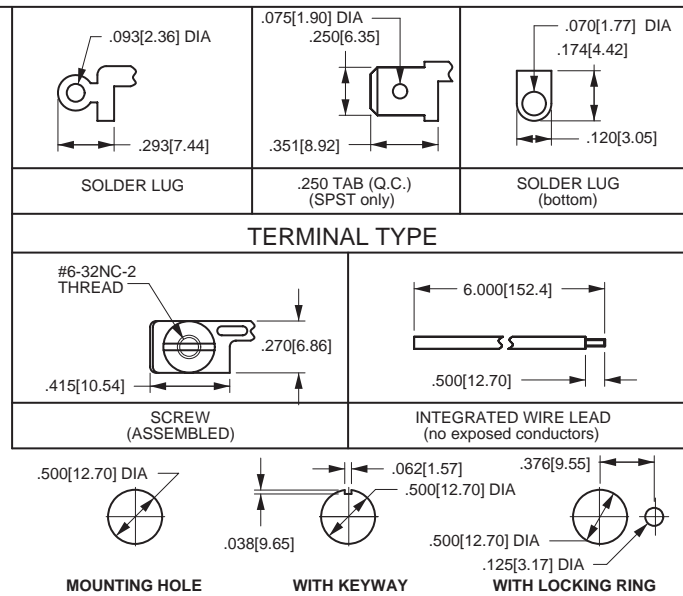
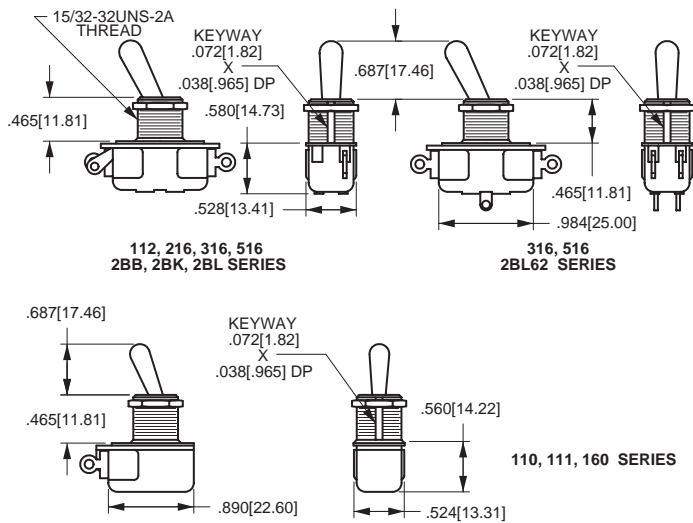
The 110/216-Series toggle switches utilize a quick-make, quick-break contact mechanism and are available in both single and double pole. These switches are 125-250 volts AC/DC rated and suitable for shallow back panel applications. They are available in a range of circuits, terminations and bushing/toggle configurations.

### Specifications

- Certifications\*: UL, CSA
- Dielectric Strength: 1,000V (minimum)
- Insulation Resistance: 100 Megohms (minimum)
- Base Material: Phenolic
- Actuator Material: Brass/Nickel Plate
- Bushing Material: Brass/Nickel Plate

\* Due to ongoing technological advances, consult factory for certification specifics.

### Dimensional Specifications: in. [mm]



## 110

### SERIES

MAINTAINED	(ON) MOMENTARY NORMALLY OPEN	(OFF) MOMENTARY NORMALLY CLOSED	TERMINAL	CIRCUIT & POLES	RATING <sup>1</sup>
110 110-B 110-S 111-16	110-M-NO 110-BM-NO 110-SM-NO 111-16M-NO	110-M-NC 110-BM-NC 110-SM-NC 111-16M-NC	SOLDER LUG-END SOLDER LUG-BTM SCREW TERM. WIRE LEAD	SP-ST	3A 250V 6A 125V
112 112-A	112-M 112-M-A	NONE	SOLDER LUG-END WIRE LEAD	SP-DT	1A 250V 3A 125V
216 216-A	216-M-NO 216-M-ANO	216-M-NC 216-M-ANC	SOLDER LUG-END WIRE LEAD	DP-ST	3A 250V 6A 125V
316 316-B	NONE	316-M 316-BM	SOLDER LUG SOLDER LUG-BTM	DP-DT	
516 516-A 516-B	NONE	516-M 516-AM 516-BM	SOLDER LUG-END WIRE LEAD SOLDER LUG-BTM	2 CIRCUIT	
2BB65 2BB62	NONE	NONE	WIRE LEAD SOLDER LUG-END	SP-DT	6A 125VAC
2BK65 2BK62	NONE	NONE	WIRE LEAD SOLDER LUG-END	DP-ST	3A 250V 6A 125V
2BL62 2BL63	NONE	NONE	SOLDER LUG-END SOLDER LUG-BTM	DP-DT	
160H 160H-A 160H-B 160H-S	NONE	NONE	SOLDER LUG-END WIRE LEAD SOLDER LUG-BTM SCREW TERM.	SP-ST	5A 250V 10A 125V 1/4HP 125V

## 73

### TOGGLE STYLE<sup>2</sup>

	TOGGLE LENGTH	BUSHING LENGTH	SUFFIX NO.	NEOPRENE SEAL
BAT	.375 .500 .687	.343 .465 .465	52 63 73	57 68 78
BALL	.375 .375	.250 .343	21 22	---

#### NOTES:

- Shading indicates standard configurations.  
Tab terminals available on all above SP-ST switches. Add suffix /TABS. (ex.) 110-73/TABS
- 1 Additional ratings available. Consult factory.
  - 2 Momentary functions are available only with 73 toggles.