

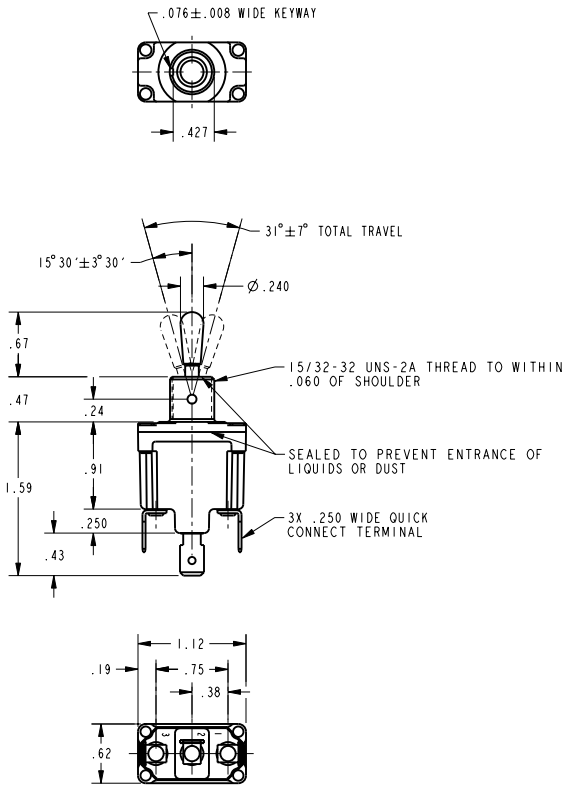
PTC/CAD 20
 DRAWN
 S A V 22 NOV 99 CHECK SAV 22 NOV 99 CHECK
 REVISIONS
 A CO-94328
 3 A V
 B 203388
 G
 C 207782
 27 MAR 03
 ISSUE 6
 CATALOG LISTING INT91 SERIES CHART 1
 PAGE 1 OF 1
 RELEASE NO. PR-19402 REPLACES

MICRO SWITCH
a Honeywell Division
FED. MFG. CODE 91929

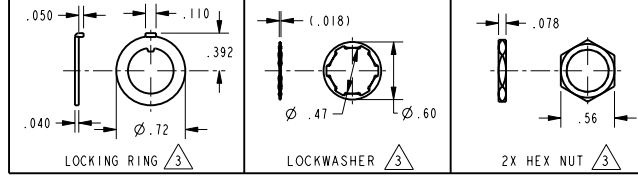
SWITCH - TOGGLE

CATALOG LISTING
INT91 SERIES CHART 1

THIS DRAWING COVERS A PROPRIETARY ITEM AND IS THE PROPERTY OF MICRO SWITCH, A DIVISION OF HONEYWELL. THIS DRAWING IS NOT TO BE COPIED OR USED WITHOUT THE APPROVAL OF MICRO SWITCH



CATALOG LISTING	CIRCUIT MADE WITH TOGGLE LEVER IN ^{△4}			ELECTRICAL DATA
	KEYWAY SIDE (1-2)	CENTER (1-2)	OPPOSITE KEYWAY (2-3)	
INT91-1	ON	OFF	ON	L191 15A 125, 250, 277 VAC 1/2HP 125 VAC 1HP 250, 277 VAC 5A 125 VAC "L"
INT91-2	OFF	NONE	ON	
INT91-3	ON	NONE	ON	
[Ⓟ]	NONE	OFF	ON	L192 10A 125, 250, 277 VAC 1/4HP 125 VAC 1/2HP 250, 277 VAC 3A 125 VAC "L"
[Ⓟ]	NONE	ON	ON	
[Ⓟ]	MOM OFF	NONE	ON	
INT91-5	MOM ON	OFF	ON	
INT91-6	MOM ON	NONE	OFF	
INT91-7	MOM ON	OFF	MOM ON	
[Ⓟ]	MOM ON	NONE	ON	
[Ⓟ]	NONE	ON	MOM ON	
INT91-6 I	MOM ON	OFF	NONE	



NOTES
 1 - SWITCH WILL WITHSTAND TEMPERATURE OF 160°F CONTINUOUSLY AT FULL RATED LOAD
 2 - MICRO SWITCH CAT. LIST. MARKED ON SIDE OF SWITCH FURNISHED UNASSEMBLED
^{△3} APPLIES ONLY TO "ON" AND "MOMENTARY ON" POSITIONS
^{△4}

THIRD ANGLE PROJECTION	
SCALE FULL	
DO NOT SCALE PRINT	
UNLESS OTHERWISE SPECIFIED TOLERANCES ARE	
ONE PLACE	(.01) ±.030
TWO PLACE	(.00) ±.015
THREE PLACE	(.000) ±.005
ANGLES	±
WEIGHT .07 LB APPROX	

ANSI Y14.5M-1982 APPLIES