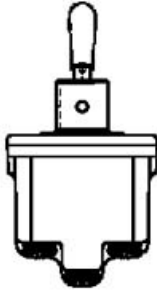




1NT1-2



Actual product appearance may vary.

NT Series Toggle Switch, 1 pole, 2 position, Screw terminal, Standard Lever

Features

- Completely sealed switching chamber
- NEMA 3, 3R, 4, and 13
- UL recognized, File E12252, Vol. 1, Section 44
- CSA certified, File LR4442
- CE approved

Potential Applications

- Aerial lifts, scissor lifts, truck mounted tele-handlers, and cranes
- Construction equipment
- Agriculture equipment
- Material-handling equipment
- Factory-floor control units
- Machine tool equipment manufacturers

Description

MICRO SWITCH™ NT Series toggle switches meet the need for a rugged, cost-effective toggle switch. Quality construction features include a seal between the toggle lever and bushing, and between the cover and case. These switches can be used where panels are subject to splashes, hosedowns, or outdoor environments. The "Easy-Start" threaded bushing enables quick alignment of mounting nut to decrease the chance of cross threading. The panel stand-off with O-ring feature available on some listings, eliminates the need for behind-the-panel hardware, provides uniform panel height, and provides a panel to cover seal.

Product Specifications			
Circuitry/Operating action	<table style="width: 100%; border: none;"> <tr> <td style="text-align: center; vertical-align: top;"> Keyway Position 2 3 OFF </td> <td style="text-align: center; vertical-align: top;"> Opposite Keyway Position 2 3 ON </td> </tr> </table>	Keyway Position 2 3 OFF	Opposite Keyway Position 2 3 ON
Keyway Position 2 3 OFF	Opposite Keyway Position 2 3 ON		
Product Type	MICRO SWITCH™ Toggle Switch		

Ampere/Voltage Range (Resistive Load)	0.5 A at 250 Vdc,0.75 A at 115 Vdc,0.5 A to 15 A at 0.5 Vac to 277 Vac,0.5 A to 20 A at 0.5 Vdc to 28 Vdc
Circuitry	SPST
Action	2 position
Mounting	Bushing 15/32 in
Termination	Screw
Lever Type	Standard
UL/CSA Rating Code	L191: 15 A-125, 250, 277 Vac; 1/2 Hp-125 Vac; 1 Hp-250, 277 Vac; 5 A-120 Vac "L"
Comment	One-pole transportation grade toggle
Availability	Global
UNSPSC Code	30211908
UNSPSC Commodity	30211908 Toggle switches
Series Name	NT

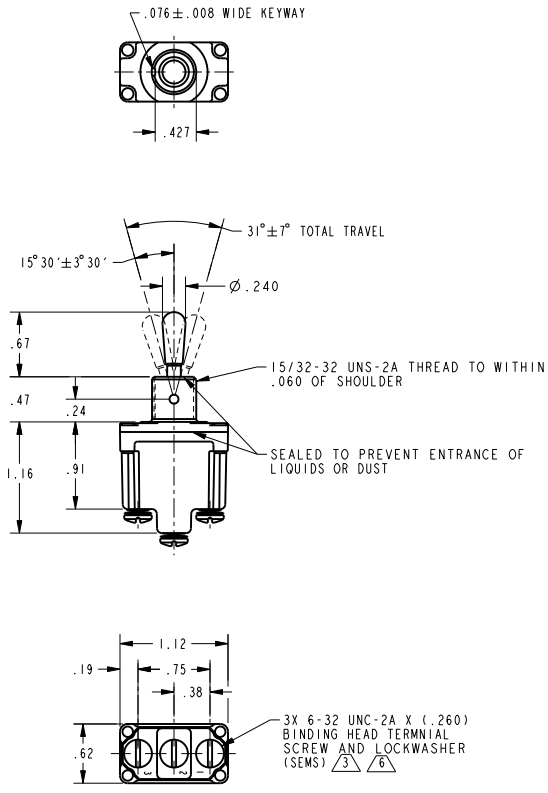
CATALOG LISTING INT1 SERIES CHART 1
 ISSUE 8
 REVISIONS
 A 207607 SM 08NOV04
 B 207182 SM 07MAR03
 C 0009175 SM 08NOV04
 PTC/CAD 2D
 DRAWN
 TSM
 CHECK SAV 7MAR03
 CHECK AK 08NOV04
 CHECK 7MAR03
 CHECK 08NOV04
 RELEASE NO. PR-19402
 REPLACES

MICRO SWITCH
 a Honeywell Division
 FED. MFG. CODE 91929

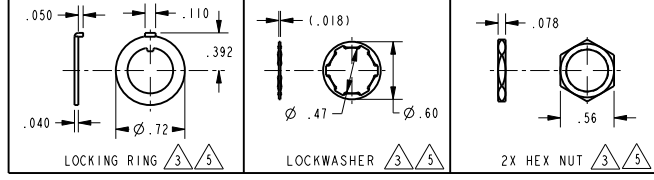
SWITCH - TOGGLE

CATALOG LISTING
INT1 SERIES CHART 1

THIS DRAWING COVERS A PROPRIETARY ITEM AND IS THE PROPERTY OF MICRO SWITCH, A DIVISION OF HONEYWELL. THIS DRAWING IS NOT TO BE COPIED OR USED WITHOUT THE APPROVAL OF MICRO SWITCH



CATALOG LISTING	CIRCUIT MADE WITH TOGGLE LEVER IN ⁴			ELECTRICAL DATA
	KEYWAY SIDE (1-2)	CENTER (1-2)	OPPOSITE KEYWAY (2-3)	
INT1-1	ON	OFF	ON	L191 15A 125, 250, 277 VAC 1/2HP 125 VAC 1HP 250, 277 VAC 5A 125 VAC "L"
INT1-2	OFF	NONE	ON	
INT1-3	ON	NONE	ON	
INT1-21	NONE	OFF	ON	L192 10A 125, 250, 277 VAC 1/4HP 125 VAC 1/2HP 250, 277 VAC 3A 125 VAC "L"
INT1-31	NONE	ON	ON	
INT1-4	MOM OFF	NONE	ON	
INT1-5	MOM ON	OFF	ON	
INT1-6	MOM ON	NONE	OFF	
INT1-7	MOM ON	OFF	MOM ON	
INT1-8	MOM ON	NONE	ON	
INT1-51	NONE	ON	MOM ON	
INT1-61	MOM ON	OFF	NONE	



- NOTES
 1 - SWITCH WILL WITHSTAND TEMPERATURE OF 160°F CONTINUOUSLY AT FULL RATED LOAD
 2 - MICRO SWITCH CAT. LIST. MARKED ON SIDE OF SWITCH FURNISHED UNASSEMBLED
 3 APPLIES ONLY TO "ON" AND "MOMENTARY ON" POSITIONS
 4 "NH" SUFFIX MUST BE ADDED TO SPECIFY NO HARDWARE (EX INT1-1-NH)
 5 "COMB" SUFFIX MUST BE ADDED TO SPECIFY 6-32 UNC-2A X (.260) COMBINATION DRIVE STYLE BINDING HEAD TERMINAL SCREW AND LOCKWASHER (SEMS) (EX INT1-7-COMB)

THIRD ANGLE PROJECTION	
SCALE	FULL
DO NOT SCALE PRINT	
UNLESS OTHERWISE SPECIFIED TOLERANCES ARE	
ONE PLACE	(.01) ±.030
TWO PLACE	(.00) ±.015
THREE PLACE	(.000) ±.005
ANGLES	±
WEIGHT	.07 LB APPROX

ANSI Y14.5M-1982 APPLIES