

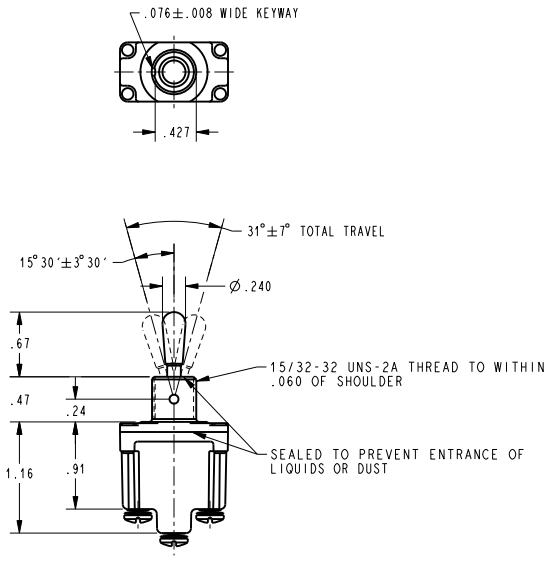
REVISIONS	CHECK	DATE
A 207607	TSM	7MAY83
B 0001565	SAV	21 OCT 83
C 1		
D 1		
E 1		
F 1		
G 1		
H 1		
I 1		
J 1		
K 1		
L 1		
M 1		
N 1		
O 1		
P 1		
Q 1		
R 1		
S 1		
T 1		
U 1		
V 1		
W 1		
X 1		
Y 1		
Z 1		

MICRO SWITCH
a Honeywell Division
FED. MFG. CODE 91929

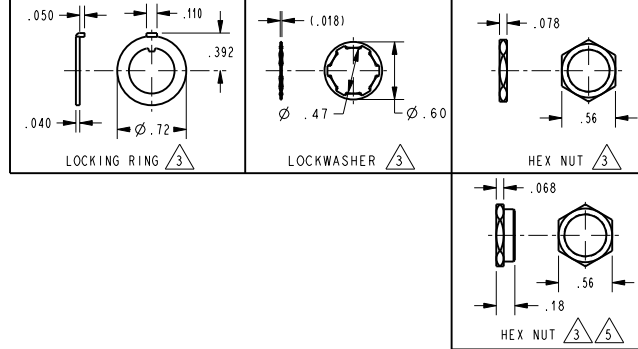
SWITCH - TOGGLE

CATALOG LISTING
INT1-JLG SERIES CHART 1

THIS DRAWING COVERS A PROPRIETARY ITEM AND IS THE PROPERTY OF MICRO SWITCH, A DIVISION OF HONEYWELL. THIS DRAWING IS NOT TO BE COPIED OR USED WITHOUT THE APPROVAL OF MICRO SWITCH



CATALOG LISTING	CIRCUIT MADE WITH TOGGLE LEVER IN			ELECTRICAL DATA
	KEYWAY SIDE (1-2)	CENTER (1-2)	OPPOSITE KEYWAY (2-3)	
1NT1-1-JLG	ON	OFF	ON	L191 15A 125, 250, 277 VAC 1/2HP 125 VAC 1HP 250, 277 VAC 5A 125 VAC "L"
1NT1-2-JLG	OFF	NONE	ON	
1NT1-3-JLG	ON	NONE	ON	
1NT1-24-JLG	NONE	OFF	ON	
1NT1-34-JLG	NONE	ON	ON	
1NT1-4-JLG	MOM OFF	NONE	ON	
1NT1-5-JLG	MOM ON	OFF	ON	
1NT1-6-JLG	MOM ON	NONE	OFF	
1NT1-7-JLG	MOM ON	OFF	MOM ON	L192 10A 125, 250, 277 VAC 1/4HP 125 VAC 1/2HP 250, 277 VAC 3A 125 VAC "L"
1NT1-8-JLG	MOM ON	NONE	ON	
1NT1-51-JLG	NONE	ON	MOM ON	
1NT1-61-JLG	MOM ON	OFF	NONE	



- NOTES
- SWITCH WILL WITHSTAND TEMPERATURE OF 160°F CONTINUOUSLY AT FULL RATED LOAD
 - MICRO SWITCH CAT. LIST. MARKED ON SIDE OF SWITCH FURNISHED UNASSEMBLED
 - APPLIES ONLY TO "ON" AND "MOMENTARY ON" POSITIONS
 - BLACK FINISH

THIRD ANGLE PROJECTION
SCALE FULL
DO NOT SCALE PRINT
UNLESS OTHERWISE SPECIFIED TOLERANCES ARE
ONE PLACE (.01) ±.030
TWO PLACE (.00) ±.015
THREE PLACE (.000) ±.005
ANGLES ±
WEIGHT .07 APPROX

ANSI Y14.5M-1982 APPLIES