



➔ **Product Type**
General purpose AC-DC toggle switch

➔ **Product Series**
110/216-Series

The 110/216-Series toggle switches feature a quick-make, quick-break contact mechanism. They are suitable for AC/DC shallow back panel applications, and fit the industry standard .500 diameter mounting hole. These switches are available in a range of momentary and maintained single throw or double throw circuits, terminations, and bushing/toggle configurations.

Certifications

UL CSA

Number of Poles

1 & 2 pole

Ratings

3A 250
6A 125V

5A 250V
10A 125V
1/4HP 125V

1A 250V
3A 125V

6A 125VAC

Dielectric Strength

1,000 V RMS (minimum)

Insulation Resistance

100 megohms (minimum)

Base Material

Phenolic

Actuator Style

Bat Toggles(variety of lengths)
Ball Toggle

Actuator Material

Brass/Nickel Plate

Bracket/Bezel Material

Brass/Nickel Plate

Terminal Options

Solder Lugs - End
Solder Lugs- Bottom
Wire Leads
Screw Terminals

Mounting Method

Bushing Mount

Mounting Hole Dimensions

.500" diameter; 12.70mm diameter

Value Added

Reverse keyway
Special contact plating
Additional ratings available
2 circuit option available
Neoprene seals available

110-Series Heavy Action Toggle Switches



The 110-Series is a compactly designed, versatile metal construction toggle switch which is appropriate for a variety of uses. Features include single or double pole options, maintained or momentary construction with termination choices including solder lug end or bottom, wire leads and .250 tab terminals. The quick make/quick break contact mechanism makes the switch suitable for high voltage (125-250 volt) applications. This switch is popular within the Small Appliance, Floor Maintenance, and most low current AC/DC market segments.

Dielectric Strength

UL/CSA: 1000 - live to dead metal parts & opposite polarity

Electrical Life

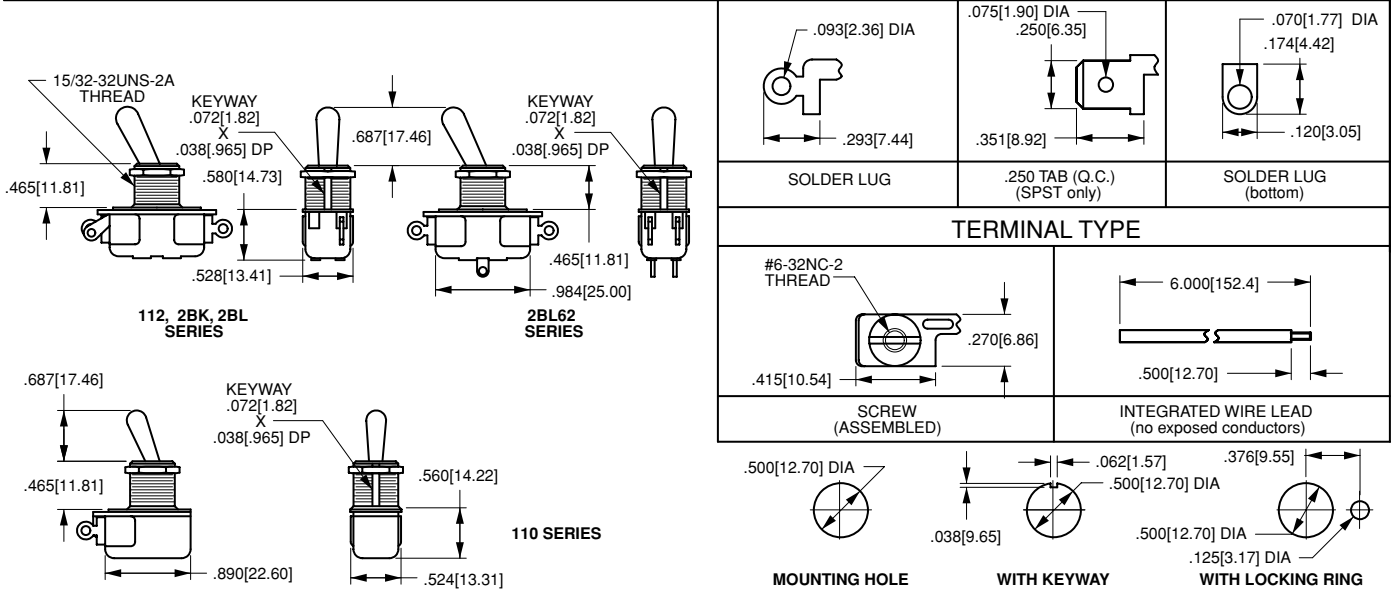
25,000 cycles

Mechanical Life

50,000 cycles

Operating Temperature

0°F to 150°F (-17.8°C to +65.6°C)



¹ Base Part Number

² Actuator Style

| 1 BASE PART NUMBER: SERIES/CIRCUITRY ¹ /RATING/TERMINATION ² | | | | |
|--|------------------|---------------------|-----------------|------------|
| 3A 250V, 6A 125V, AC/DC | | | | |
| | solder lug (end) | solder lug (bottom) | screw terminals | wire leads |
| Single Pole | | | | |
| ON-NONE-OFF | 110 | 110-B | 110-S | 111-16 |
| OFF-NONE-(ON) | 110-M-NO | 110-BM-NO | 110-SM-NO | 111-16M-NO |
| ON-NONE-(OFF) | 110-M-NC | 110-BM-NC | 110-SM-NC | 111-16M-NC |
| Double Pole | | | | |
| ON-NONE-OFF | 2BK62 | - | - | 2BK65 |
| ON-NONE-ON | 2BL62 | - | - | 2BL65 |
| 1A 250V, 3A 125V, AC/DC | | | | |
| Single Pole | | | | |
| ON-NONE-ON | 112 | - | - | 112-A |
| ON-NONE-(ON) | 112-M | - | - | 112-M-A |
| Double Pole | | | | |
| ON-NONE-OFF | 216 | - | - | 216A |
| OFF-NONE-(ON) | 216-M-NO | - | - | 216A-M-ANO |
| ON-NONE-(OFF) | 216-M-NC | - | - | 216A-M-ANC |
| ON-NONE-ON | 316 | 316-B | - | - |
| ON-NONE-(ON) | 316-M | 316-BM | - | - |
| 2 circuit | | | | |
| 1 ON - 1 OFF | 516 | 516-B | - | 516-A |
| 1 (ON) - 1 (OFF) | 516-M | 516-BM | - | 516-AM |
| 6A 120VAC | | | | |
| Single Pole | | | | |
| ON-NONE-ON | 2BB62 | - | - | 2BB65 |
| 5A 250V, 10A 125V, 1/4HP, 125V | | | | |
| Single Pole | | | | |
| ON-NONE-OFF | 160H | 160H-B | 160H-S | 160H-A |

NOTES

- 1 Momentary function only available with 73 toggles.
- 2 160H and 110-Series are available with .250 tab terminals. Add suffix /TABS to end of part number. ex. 110-73/TABS
- () Indicates momentary function.

| 2 ACTUATOR STYLE | | | |
|--------------------------|--------|---------------|----------------|
| BAT STYLE TOGGLE | | | |
| unsealed | sealed | toggle length | bushing length |
| 52 | 57 | 0.375 | 0.343 |
| 63 | 68 | 0.500 | 0.465 |
| 73 | 78 | 0.687 | 0.465 |
| BALL STYLE TOGGLE | | | |
| unsealed | sealed | toggle length | bushing length |
| 21 | - | 0.375 | 0.250 |
| 22 | - | 0.375 | 0.343 |
| 25 | - | 0.375 | 0.875 |