

MICRO SWITCH
a Honeywell Division
FED. MFG. CODE 91929

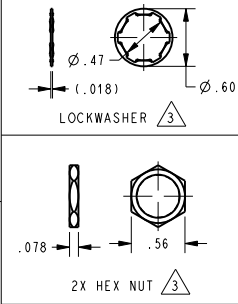
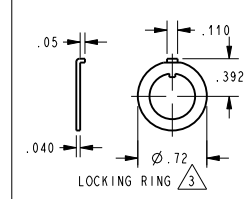
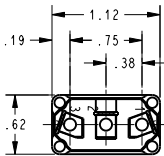
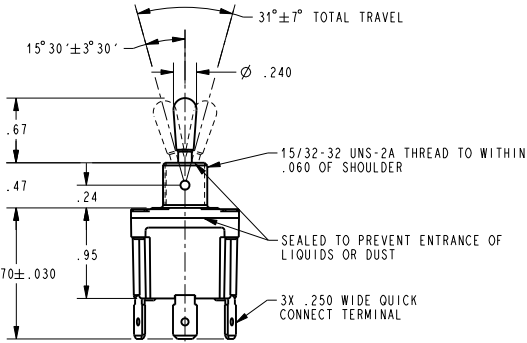
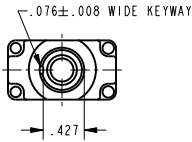
SWITCH - TOGGLE

31NT891 SERIES CHART 1

CATALOG LISTING

THIS DRAWING COVERS A PROPRIETARY ITEM AND IS THE PROPERTY OF MICRO SWITCH, A DIVISION OF HONEYWELL. THIS DRAWING IS NOT TO BE COPIED OR USED WITHOUT THE APPROVAL OF MICRO SWITCH

CATALOG LISTING	CIRCUIT MADE WITH TOGGLE LEVER IN $\triangle 4$			ELECTRICAL DATA
	KEYWAY SIDE (1-2)	CENTER (1-2)	OPPOSITE KEYWAY (2-3)	
31NT891-1	ON	OFF	ON	L191 15A 125, 250, 277 VAC 1/2HP 125 VAC 1HP 250, 277 VAC 5A 125 VAC "L" CE UL
31NT891-2	OFF	NONE	ON	
31NT891-3	ON	NONE	ON	
31NT891-21	NONE	OFF	ON	
31NT891-31	NONE	ON	ON	
31NT891-4	MOM OFF	NONE	ON	
31NT891-5	MOM ON	OFF	ON	
31NT891-6	MOM ON	NONE	OFF	
31NT891-7	MOM ON	OFF	MOM ON	L192 10A 125, 250, 277 VAC 1/4HP 125 VAC, 1/2HP 250, 277 VAC 3A 125 VAC "L" CE UL
31NT891-8	MOM ON	NONE	ON	
31NT891-51	NONE	ON	MOM ON	
31NT891-61	MOM ON	OFF	NONE	



- NOTES
 1 - SWITCH WILL WITHSTAND TEMPERATURE OF 160°F CONTINUOUSLY AT FULL RATED LOAD
 2 - MICRO SWITCH CAT. LIST. MARKED ON SIDE OF SWITCH
 $\triangle 3$ FURNISHED UNASSEMBLED
 $\triangle 4$ APPLIES ONLY TO "ON" AND "MOMENTARY ON" POSITIONS
 5 - TO ORDER WITHOUT HARDWARE ADD (-NH) SUFFIX TO CATALOG LISTING
 6 - GOLD PLATED CONTACTS

THIRD ANGLE PROJECTION	
SCALE FULL	
DO NOT SCALE PRINT	
UNLESS OTHERWISE SPECIFIED TOLERANCES ARE	
ONE PLACE	(.01) ±.030
TWO PLACE	(.00) ±.015
THREE PLACE	(.000) ±.005
ANGLES	±
WEIGHT .07 LB APPROX	

PTC/CAD 20
 DRAWN
 C S L 24 NOV 03 CHECK M D M 24 NOV 03 CHECK
 REVISIONS
 ISSUE A
 M
 CATALOG LISTING 31NT891 SERIES CHART 1
 PAGE 1 OF 1
 RELEASE NO. 0002214
 REPLACES

ANSI Y14.5M-1982 APPLIES