

CATALOG LISTING 31NT391 SERIES CHART 1

ISSUE 10
 CHECK
 REVISIONS
 A CD94360 SM
 B 200106
 C 204645
 D 207407
 TSM 29NOV99
 CHECK SAV 20NOV99
 PTC/CAD 20
 DRAWN
 TSM 29NOV99
 CHECK SAV 20NOV99

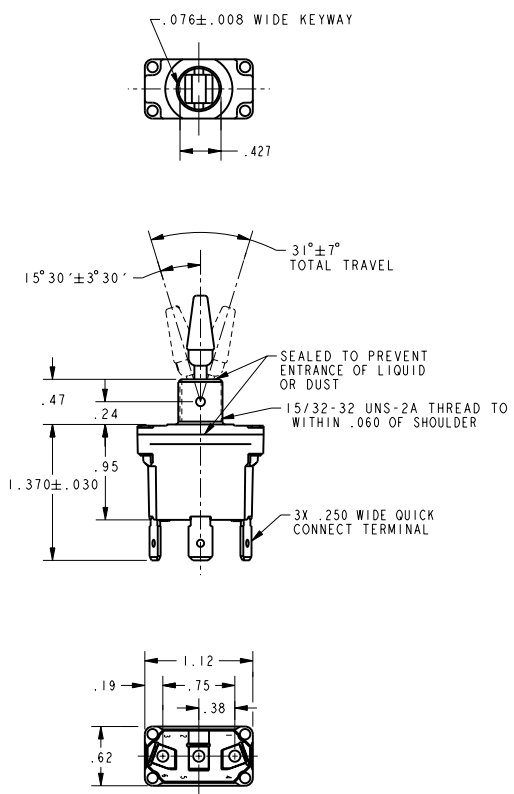
MICRO SWITCH
 a Honeywell Division
 FED. MFG. CODE 91929

SWITCH - TOGGLE

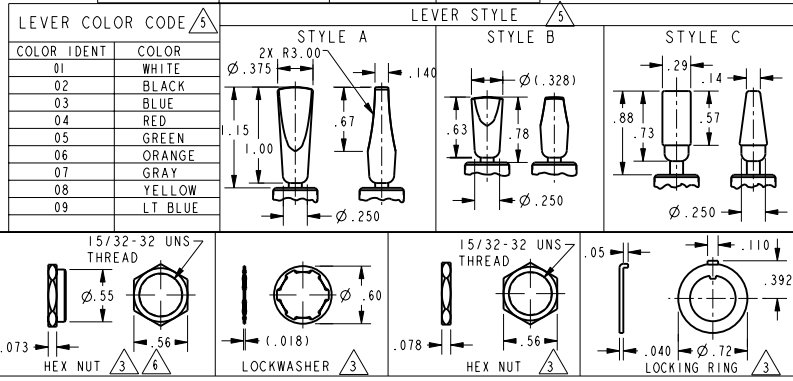
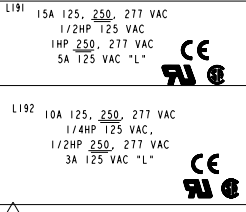
31NT391 SERIES CHART 1

CATALOG LISTING

THIS DRAWING COVERS A PROPRIETARY ITEM AND IS THE PROPERTY OF MICRO SWITCH, A DIVISION OF HONEYWELL. THIS DRAWING IS NOT TO BE COPIED OR USED WITHOUT THE APPROVAL OF MICRO SWITCH



| CATALOG LISTING | CIRCUIT MADE WITH TOGGLE LEVER IN | | | ELECTRICAL DATA |
|-----------------|-----------------------------------|--------------|-----------------------|--|
| | KEYWAY SIDE (1-2) | CENTER (1-2) | OPPOSITE KEYWAY (2-3) | |
| 31NT391-1 | ON | OFF | ON | L191 15A 125, 250, 277 VAC 1/2HP 125 VAC 1HP 250, 277 VAC 5A 125 VAC "L" |
| 31NT391-2 | OFF | NONE | ON | |
| 31NT391-3 | ON | NONE | ON | |
| 31NT391-21 | NONE | OFF | ON | |
| 31NT391-31 | NONE | ON | ON | |
| 31NT391-4 | MOM OFF | NONE | ON | |
| 31NT391-5 | MOM ON | OFF | ON | L192 10A 125, 250, 277 VAC 1/4HP 125 VAC, 1/2HP 250, 277 VAC 3A 125 VAC "L" |
| 31NT391-6 | MOM ON | NONE | OFF | |
| 31NT391-7 | MOM ON | OFF | MOM ON | |
| 31NT391-8 | MOM ON | NONE | ON | |
| 31NT391-51 | NONE | ON | MOM ON | |
| 31NT391-61 | MOM ON | OFF | NONE | |



- NOTES
- SWITCHES ARE CAPABLE OF WITHSTANDING A TEMPERATURE OF 160° F CONTINUOUSLY AT FULL RATED LOAD
 - MICRO SWITCH CATALOG LISTING MARKED ON SIDE OF SWITCH FURNISHED UNASSEMBLED
 - APPLIES ONLY TO "ON" AND "MOMENTARY ON" POSITIONS
 - SUFFIX MUST BE ADDED FOR DESIRED LEVER STYLE AND COLOR (EXAMPLE: 32NT391-7-C08)
 - BLACK FINISH

| |
|---|
| THIRD ANGLE PROJECTION |
| SCALE FULL |
| DO NOT SCALE PRINT |
| UNLESS OTHERWISE SPECIFIED TOLERANCES ARE |
| ONE PLACE (.01) ±.030 |
| TWO PLACE (.00) ±.015 |
| THREE PLACE (.000) ±.005 |
| ANGLES ± |
| WEIGHT .07 LB APPROX |

ANSI Y14.5M-1982 APPLIES