

CATALOG LISTING CHART 3INT91-JLG SERIES

PTC/CAD 20
DRAWN TSM 22NOV99
CHECK SAV 22NOV99
CHECK

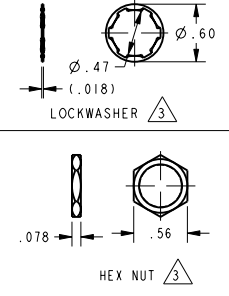
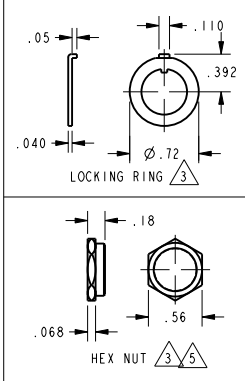
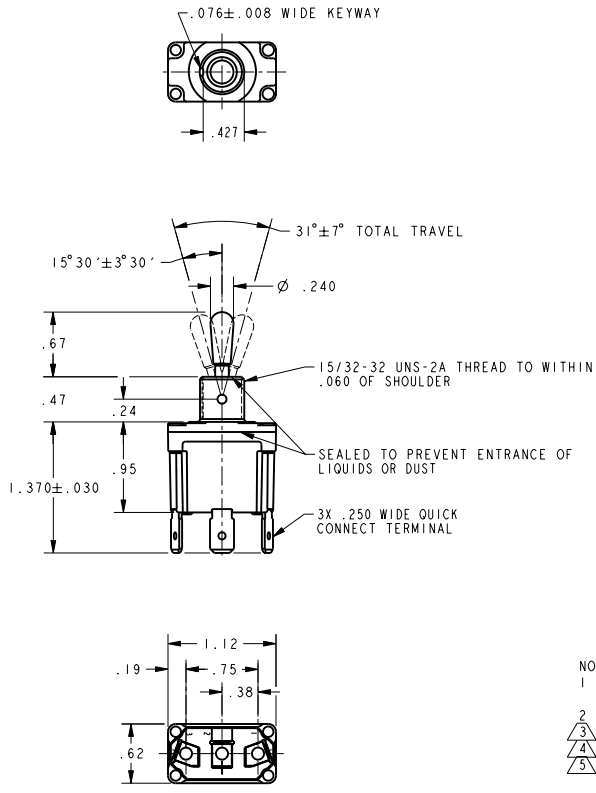
MICRO SWITCH
a Honeywell Division
FED. MFG. CODE 91929

SWITCH - TOGGLE

CATALOG LISTING
3INT91-JLG SERIES
CHART 1

THIS DRAWING COVERS A PROPRIETARY ITEM AND IS THE PROPERTY OF MICRO SWITCH, A DIVISION OF HONEYWELL. THIS DRAWING IS NOT TO BE COPIED OR USED WITHOUT THE APPROVAL OF MICRO SWITCH

CATALOG LISTING	CIRCUIT MADE WITH TOGGLE LEVER IN			ELECTRICAL DATA
	KEYWAY SIDE (1-2)	CENTER (1-2)	OPPOSITE KEYWAY (2-3)	
3INT91-1-JLG	ON	OFF	ON	L191 15A 125, <u>250</u> , 277 VAC 1/2HP 125 VAC 1HP <u>250</u> , 277 VAC 5A 125 VAC "L" CE RL
3INT91-2-JLG	OFF	NONE	ON	
3INT91-3-JLG	ON	NONE	ON	
3INT91-21-JLG	NONE	OFF	ON	
3INT91-31-JLG	NONE	ON	ON	
3INT91-4-JLG	MOM OFF	NONE	ON	
3INT91-5-JLG	MOM ON	OFF	ON	L192 10A 125, <u>250</u> , 277 VAC 1/4HP 125 VAC, 1/2HP <u>250</u> , 277 VAC 3A 125 VAC "L" CE RL
3INT91-6-JLG	MOM ON	NONE	OFF	
3INT91-7-JLG	MOM ON	OFF	MOM ON	
3INT91-8-JLG	MOM ON	NONE	ON	
3INT91-51-JLG	NONE	ON	MOM ON	
3INT91-61-JLG	MOM ON	OFF	NONE	



NOTES
 1 - SWITCH WILL WITHSTAND TEMPERATURE OF 160°F CONTINUOUSLY AT FULL RATED LOAD
 2 - MICRO SWITCH CAT. LIST. MARKED ON SIDE OF SWITCH FURNISHED UNASSEMBLED
 3 - APPLIES ONLY TO "ON" AND "MOMENTARY ON" POSITIONS
 4 - BLACK FINISH

THIRD ANGLE PROJECTION	
SCALE	FULL
DO NOT SCALE PRINT	
UNLESS OTHERWISE SPECIFIED TOLERANCES ARE	
ONE PLACE	(.01) ±.030
TWO PLACE	(.00) ±.015
THREE PLACE	(.000) ±.005
ANGLES	±
WEIGHT	.07 LB APPROX

ANSI Y14.5M-1982 APPLIES