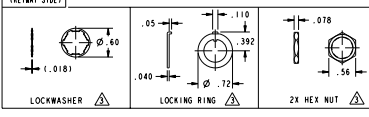
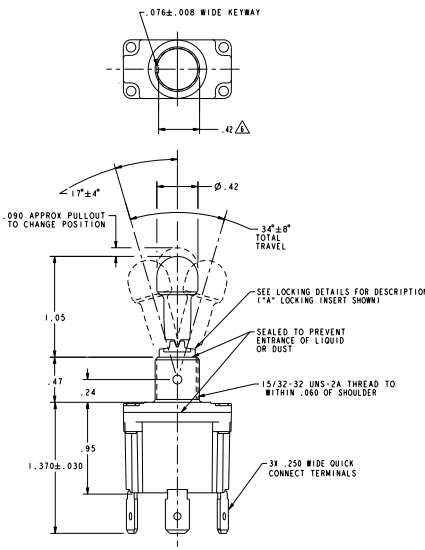
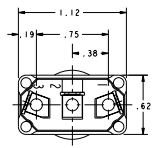


ELECTRICAL DATA	CATALOG LISTING	AVAILABLE LOCKING COMBINATIONS FOR CONFIGURATION SEE LETTERED DETAILS	CIRCUIT MADE WITH TOGGLE LEVER IN			SPECIFICATION DETAILS: STANDARD:
			KEYWAY SIDE (1-2)	CENTER (1-2)	OPPOSITE KEYWAY (2-3)	
1191 15A 125, 250, 277 VAC 1/2HP 725 WAC 1HP 1450, 210 WAC 3A 125 VAC 1/2"	3N191-1	A,B,B.E,F,G,H,I,K,L,M,N,P	ON	OFF	ON	CONSTRUCTION: ENVIRONMENTALLY SEALED
	3N191-2	B,F,G	OFF	NONE	ON	ENCLOSURE DESIGN: SILVER CAD OXIDE CONTACTS
	3N191-3	D,F,G	ON	NONE	ON	CIRCUIT MATERIAL & CONFIGURATION: SEE "CIRCUIT MODE" CHART
	3N191-21	F,I,K,L,N	NONE	OFF	ON	QUICK CONNECT
	3N191-31	F,I,K,L,N	NONE	ON	ON	TERMINATION: 15 LB. APPROX
	3N191-4	F	MOM OFF	NONE	ON	EXPOSED METALS: ELECTRICAL CHARACTERISTICS:
1192 15A 125, 250, 277 VAC 1/2HP 725 WAC 1HP 1450, 210 WAC 3A 125 VAC 1/2"	3N191-5	E,F,K,L,M,N	MOM ON	OFF	OFF	VOLTAGE LOAD: 28 VDC, 28 VDC
	3N191-6	F	MOM ON	NONE	OFF	INDUCTIVE: SEE ELECTRICAL DATA
	3N191-7	E,L,N	MOM ON	OFF	MOM ON	RESISTIVE: SEE ELECTRICAL DATA
	3N191-8	F	MOM ON	NONE	ON	INSULATION RESISTANCE: 1000V RMS, 500µA (MAX LKG)
	3N191-51	F	MOM ON	ON	MOM ON	INSULATION RESISTANCE: 1000V RMS, 500µA (MAX LKG)
	3N191-61	F	MOM ON	OFF	NONE	SWITCH RESISTANCE: N/A



- NOTES
- SWITCHES ARE CAPABLE OF WITHSTANDING A TEMPERATURE OF 140°F CONTINUOUSLY AT FULL RATED LOAD
 - MICRO SWITCH CATALOG LISTING MARKED ON SIDE OF SWITCH
- △ FURNISHED UNASSEMBLED
 △ SUFFIX LETTER MUST BE ADDED FOR DESIRED TYPE OF TOGGLE LOCKING. SEE CHART FOR AVAILABLE LOCKING COMBINATIONS APPLIES ONLY TO "ON" AND "MOM ON" POSITIONS.
 △ FROM BOTTOM OF KEYWAY TO MAJOR Ø OF 15/32 THREAD



THIS DRAWING COVERS A PROPRIETARY ITEM AND IS THE PROPERTY OF MICRO SWITCH, A DIVISION OF HONEYWELL. THIS DRAWING IS NOT TO BE COPIED OR USED WITHOUT THE APPROVAL OF MICRO SWITCH.

THIS DRAWING IS NOT TO BE COPIED OR USED WITHOUT THE APPROVAL OF MICRO SWITCH.

MICRO SWITCH
Honeywell Division

SWITCH - TOGGLE

3N191 SERIES CHART 2

WEIGHT

THIRD ANGLE PROJECTION
SCALE
DO NOT SCALE PRINT
UNLESS OTHERWISE SPECIFIED TOLERANCES ARE
ONE PLACE 1.03 ± 0.030
TWO PLACE 1.001 ± 0.015
THREE PLACE 1.0001 ± 0.005
ANGLES
WEIGHT

ANSI Y14.5M-1982 APPLIES