



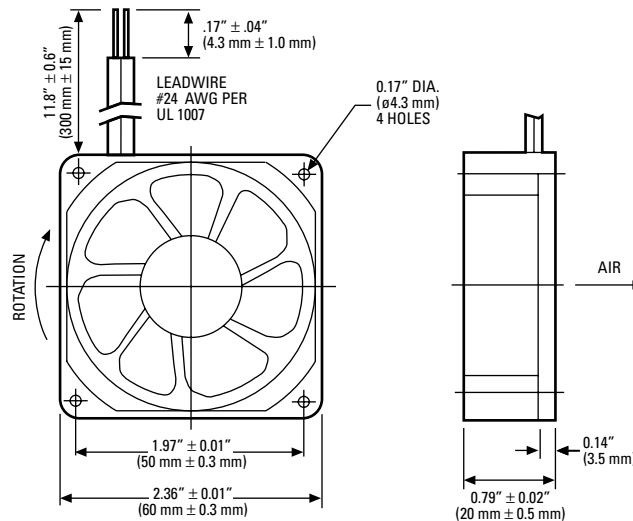
Features

- 7-blade impeller design provides:
 - Reduced noise
 - Improved performance
 - High efficiency
- Solid-state brushless motor design provides:
 - Auto restart
 - Low input power
 - Lower operating voltages
- Precision ball bearing system provides:
 - Longer life
 - Higher temperature extremes
 - Lower noise over time
 - Maximum shock and vibration resistance
- Designed to meet the rigid standards of UL, CSA, VDE, and CE.

Accessories:
Finger guards

General Specifications

- Frame:** Reinforced polybutylene plastic (UL94V-0 flame retardant)
- Impeller:** Reinforced polybutylene plastic (UL94V-0 rating)
- Bearings:** Precision, life-lubricated ball bearings
- Insulation:** Class A integral ground system rated @ 248°F (120°C)
- Weight:** 3.0 ozs. (85 grams)
- Operating Temperature Range:** 14° to 158°F (-10° to 70°C)
- Insulation Resistance:** 10 megohms minimum @ 500 VDC
- Dielectric Strength:** 500 VAC for 60 seconds
- Safety Protection:** Electronic locked rotor protected; polarity protected
- Life Expectancy:** 75,000 hours minimum @ 77°F (25°C)

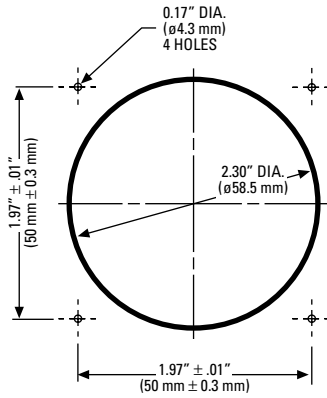


RED LEAD IS POSITIVE (+)
BLACK LEAD IS NEGATIVE (-)

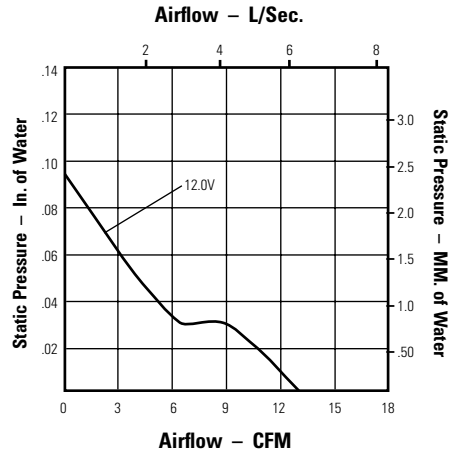
Globe Motors Part Number	Nominal Voltage VDC	Voltage Operating Range VDC	Watts	Line Amps	RPM	Acoustic Noise dBA	Airflow (Min.)	
							CFM	Liters per Second
D24-B08A-04W3-000	12	6.0 / 13.8	0.84	0.07	3200	25	13	6.1
D24-B08A-04W4-000	12	6.0 / 13.8	1.08	0.09	4000	29	16	7.6
D24-B08A-05W3-000	24	15.0 / 27.6	0.96	0.04	3200	25	13	6.1
D24-B08A-05W4-000	24	15.0 / 27.6	1.20	0.05	4000	29	16	7.6

*Note: For tachometer output models, substitute "B" in part number. Part Number D24-B08"A"-04W3-000 would change to D24-B08"B"-04W3-000. Minimum order quantity may apply.
For locked rotor sensor output models, substitute "C" in part number. Part Number D24-B08"A"-04W3-000 would change to D24-B08"C"-04W3-000. Minimum order quantity may apply.

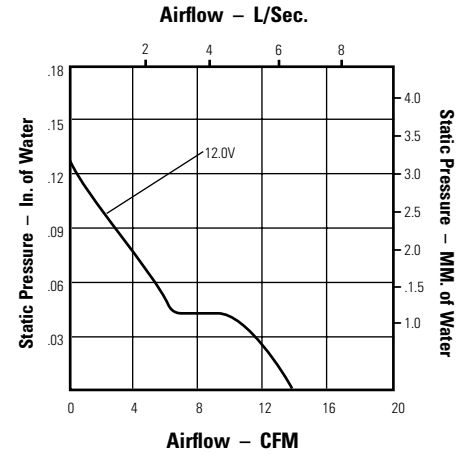
Installation Guide



Performance at Sea Level



D24-B08A-04W3-000



D24-B08A-04W4-000

Approvals



UL File No.
E105397



CSA File No.
72877



VDE File No.
17074-2611-0708



NOTES:

All operating specifications measured at nominal operating voltage, free air at sea level

24 volt performance is identical to 12 volt fan performance