

## Solutions for Electronic Specialty Markets (ESM)

### Product Catalog for Electronic Specialty Markets

- 3M™ Electronic Specialty Markets - New Product Releases
- 3M™ Abrasives
- 3M™ Adhesives, Cleaners & Compounds
- 3M™ Breadboards & Test Clips
- 3M™ Cable & Assemblies
- 3M™ Copper Interconnects
- 3M™ Fiber Optics
- 3M™ Fire Protection
- 3M™ Heat Shrink
- 3M™ Identification Systems
- 3M™ Occupational Health & Safety Products
- 3M™ Protective Bumpers
- 3M™ Reclosable Fasteners
- 3M™ Splicing, Terminating & Ducting
- 3M™ Static Control
- 3M™ Tapes
- 3M™ Terminals, Kits & Tools
- 3M™ Vacuums & Accessories
- 3M™ Warehousing & Packaging Supplies
- 3M™ Wire Connectors

[Product Catalog for Electronic Specialty Markets](#) > [3M™ Wire Connectors](#) > [3M™ Insulation Displacement Connectors and Tools](#) > [3M™ Scotchlok™ IDC Connectors for Electrical Applications](#) > [3M™ Scotchlok™ 560B Electrical IDC, Double Run or Tap](#) >

## [Printer-friendly format](#) **3M™ Scotchlok™ Electrical IDC 560B-BOX, Double Run or Tap**



[\[click to enlarge\]](#)

**18 to 16 (0,75-1,5) AWG Solid/Stranded, 14 (1,5) AWG Stranded, Blue, 100 per box, 1000 per case**

GTIN(UPC/EAN) : 0 00 54007 20090 1  
3M Id : 80-6100-5276-5

### Additional Information

Run & Tap splicing. Maximum insulation O.D.diameter of 0.145 inches (3,68 mm) and a operating temperature of 194° F (90°C). The suggested application tool for this connector is the E-9BM Crimping Tool.

### Learn More . . .

[Packaging Data](#)

[3M™ Scotchlok™ ID Electrical Tap Connector 560B - Data Sheet \(PDF 201.2 K\)](#)

[Ordering Information for Scotchlok™ 560B Insulation Displacem - Product Selection Guide \(HTML 1.5 K\)](#)

[Parallel Connection Type - Illustration/Line Art \(TIFF 15.2 K\)](#)

[Tap Schematic Connection Type - Illustration/Line Art \(TIFF 15.4 K\)](#)

#### Please Note:

Adobe® Acrobat® Reader is required to view PDF documents.



### Other Tools

- What's New
- Sales Contacts
- U.S. Distributors

### Characteristics

<b>Agency Approvals</b>	UL
<b>Boxes per Case</b>	10
<b>China RoHS - Below MCV</b>	Yes
<b>Color</b>	Blue

<b>EU RoHS Compliant</b>	Yes
<b>Maximum Recommended Voltage Rating</b>	600 Volt
<b>Units per Box</b>	100
<b>Wire Range Capabilities</b>	18 to 16

---



# Scotchlok™

## Insulation Displacement Electrical Tap Connector 560B

### Data Sheet



#### Application

Use 3M™ Scotchlok™ Tap Connector 560B to electrically connect a (tap) wire end to a through (run) wire, join parallel run wires, and insulate the connection.

#### Wire Range

18 -16 AWG (0,75-1,0 mm<sup>2</sup>) solid or stranded, 14 AWG (1,5 mm<sup>2</sup>) stranded, tinned or untinned copper conductors. For use with thermoplastic insulated wires such as: T, TW, TFF, TFN, TFFN, AWN, TEW, SAE-GPT, with a maximum insulation diameter of .145 inches (3,5 mm).

Maximum recommended current for general purpose applications: 18 AWG - 7 Amps, 16 AWG - 10 Amps, 14 AWG - 15 Amps

#### Construction

U-Contact - Tin plated brass, .03 in. thick (0,8 mm)  
Insulator - Polypropylene  
Color - blue

#### Weight

.0032 lb. (1,45 gm)

#### Recommended Installation Tools

3M™ Crimping Tool No. E-9BM  
9" Linemans Pliers

#### Engineering Specification

Insulation Displacement Connector (as manufactured by 3M, 560B tap connector) is capable of connecting a tap wire to a run wire in the range of 18-16 AWG (0,75-1,0 mm<sup>2</sup>) solid or stranded, and 14 AWG (1,5 mm<sup>2</sup>) stranded, tinned or untinned copper conductors. The connector shall be UL Listed for 600 Volts maximum building wire: 1000 Volts maximum, signs fixtures and luminaires, and have a maximum insulating temperature of 105°C (221°F).

#### Regulatory Agencies

**UL Listed** as a Pressure Cable Connector  
Tested per UL Standard 486C  
UL File No. E23438

Operating Temperature: 105°C (221°F)  
Voltage Rating: 600 volts max. building wire;  
1000 volts max. signs and fixtures  
Flammability Rating: UL94 V-2

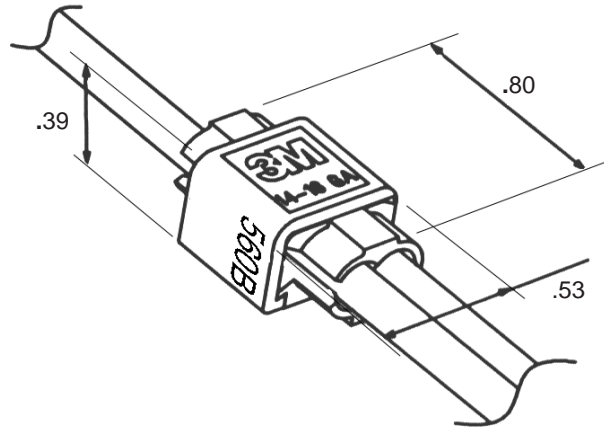
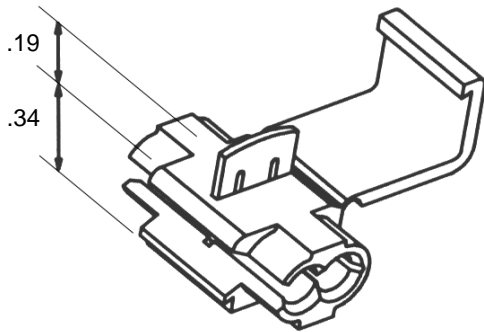
**CSA Certified**-CSA Standard C22.2 No. 0, 188-M1983  
CSA File No. LR15503

Operating Temperature: 105°C (221°F)  
Voltage Rating: 600 volts max. building wire  
1000 volts max. signs and luminaires.  
Flammability Rating: C22.2 No. 0.6 V-2

#### Federal Specification W-S-610:

“Commercial package only”

Type	Class	Kind	Style
1	1	cu	G

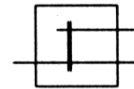


## Installation Instructions

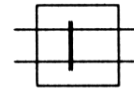
### **⚠ WARNING**

Turn power off before installing or removing terminal. All electrical work should be done according to appropriate electrical codes.

1. Place unstripped run wire inside run channel.
2. Insert unstripped tap wire completely.
3. Hold tool perpendicular to the wire and make the connection by crimping the u-contact down flush with the top of the plastic insulator.
4. Close top hinged cover until latched.



Tap / Run Connection



Parallel Connection

3M and Scotchlok are trademarks of 3M Company.

 is a trademark of Underwriters Laboratories.

 is a trademark of Canadian Standards Association.

### IMPORTANT NOTICE

All statements, technical information, and recommendations related to 3M's products are based on information believed to be reliable, but the accuracy or completeness is not guaranteed. Before using this product, you must evaluate it and determine if it is suitable for your intended application. You assume all risks and liability associated with such use. Any statements related to the product which are not contained in 3M's current publications, or any contrary statements contained on your purchase order shall have no force or effect unless expressly agreed upon, in writing, by an authorized officer of 3M.

### Warranty; Limited Remedy; Limited Liability.

This product will be free from defects in material and manufacture for a period of one year from the time of purchase. 3M MAKES NO OTHER WARRANTIES INCLUDING, BUT NOT LIMITED TO, ANY IMPLIED WARRANTY OF MERCHANTABILITY OR FITNESS FOR A PARTICULAR PURPOSE. If this product is defective within the warranty period stated above, your exclusive remedy shall be, at 3M's option, to replace or repair the 3M product or refund the purchase price of the 3M product. Except where prohibited by law, 3M will not be liable for any indirect, special, incidental or consequential loss or damage arising from this 3M product, regardless of the legal theory asserted.

# 3M

Electrical Products Division

6801 River Place Blvd.  
Austin, TX 78726-9000  
www.3M.com/electrical

Litho in USA

©3M 2005 78-8126-5926-2-B