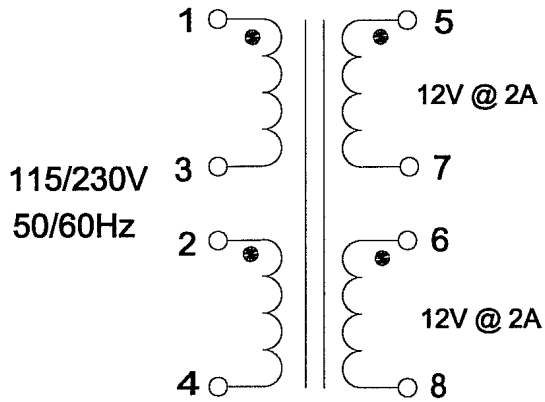


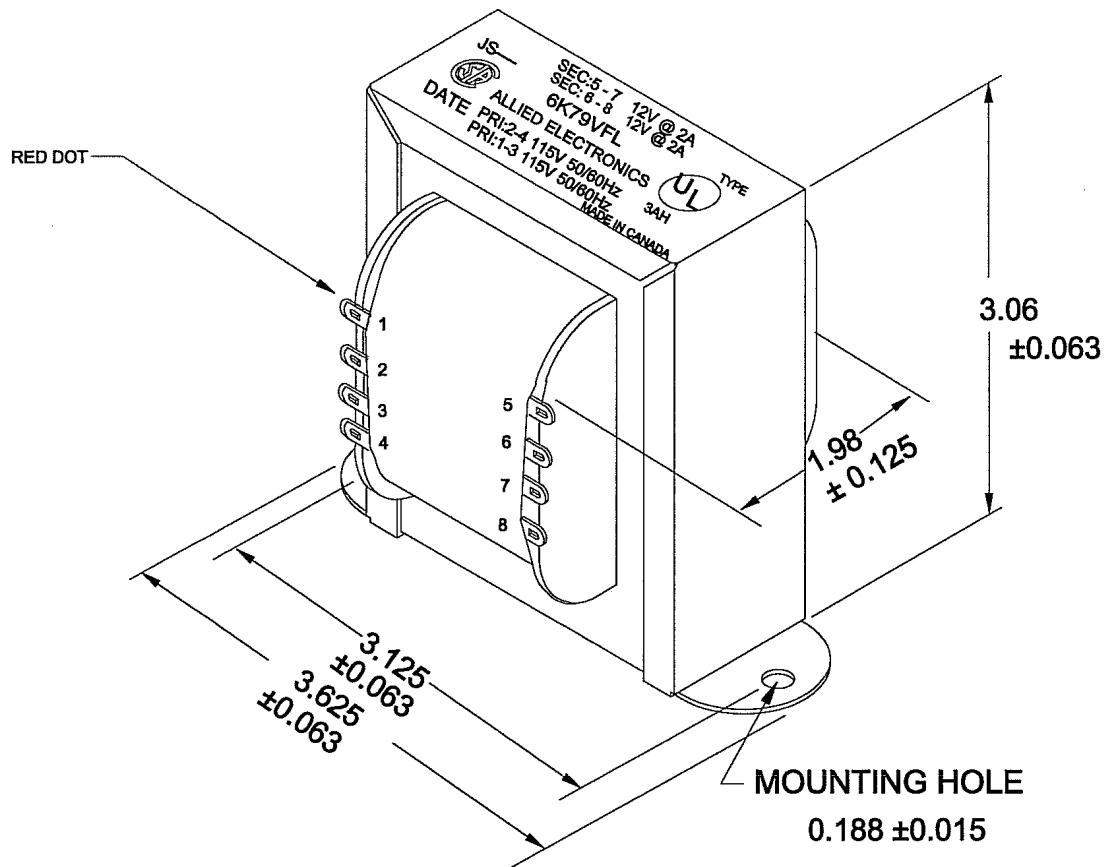
EDB6K79VFL

PRIMARY

SECONDARY



AS OF APRIL 13 2000



**HAMMOND
ELECTRONICS**

52 RANKIN PLACE,
WATERLOO, ONTARIO, N2L 3Z5.
PHONE (519) 886-6181
FAX # (519) 886-9540

TITLE

CONTROL TRANSFORMER

			DR BY RAJ S
0	MAR 27/01	PRELIMINARY	DATE MAR 27/01
NO	DATE	REVISION	DIM IN(X)MM()

EDB6K79VFL