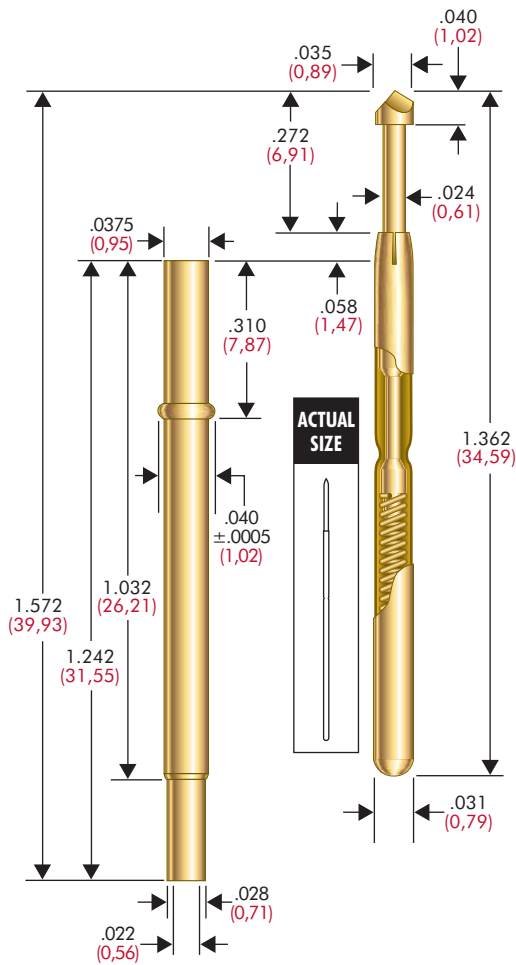


## ICT 50C PROBE AND RECEPTACLE



**RC-50-J-DE:**  
The RC Receptacle is also available for wireless test fixtures. See page 62 for more information.

## PROBE SPECIFICATIONS

Minimum Centers: .050 (1,27)  
 Current Rating: 3 amps continuous  
 Spring Force: 3.2 or 5.4 oz. @ .170 (4,32) travel  
 Contact Resistance: < 17 mΩ  
 Minimum Travel:  
 .250 (6,35) for headless tips  
 .232 (5,89) for headed tips  
 Working Travel: .170 (4,32)

Rated Force oz (gms)	Preload oz (gms)
3.2 (91)	2.0 (57)
5.4 (153)	2.0 (57)

## RECEPTACLE SPECIFICATIONS

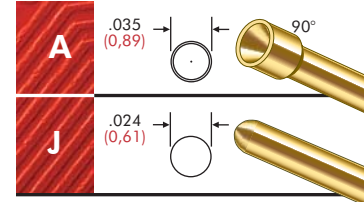
Connections:  
 RC-0-CR: Crimp  
 RC-0-SC: Solder Cup  
 RC-0-WW-016: Wire Wrap, .016 (0,41) square post, .250 (6,35) length  
 RC-0-WW-025: Wire Wrap, .025 (0,64) square post, .300 (7,62) length  
 RC-0-DS: DuraSeal®, 30 or 28 gage wire, vacuum sealed  
 RC-0-WT: Wire plug receptacle  
 WT-EZ: Wire plug terminal

**Recommended Wire:**  
28-30 gage  
**Drill Size:** #61  
**Mounting Hole Size:**  
.0385/.0390 (0,98/0,99)

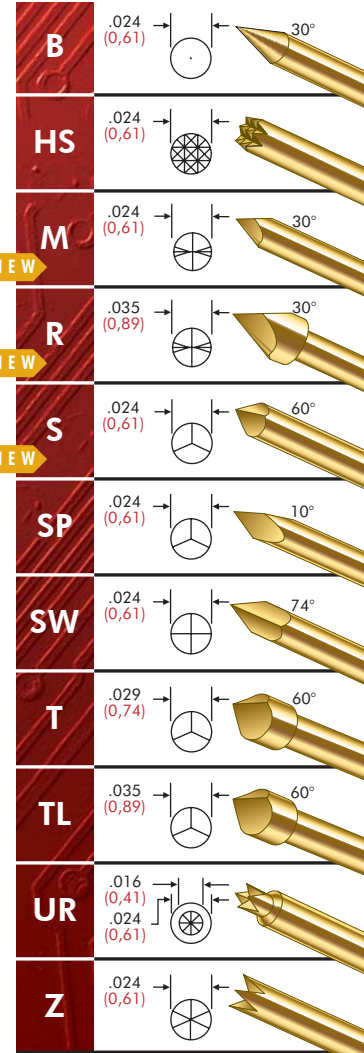
## MATERIALS

Barrel: G2  
 Spring: Music wire, gold plated  
 Plunger: Full-hard beryllium copper or steel, gold plated over nickel  
 Receptacle: Beryllium copper, gold plated  
 Terminal: Nickel/silver, gold plated

## BeCu PLUNGERS



## STEEL PLUNGERS



## HOW TO ORDER: SPRING CONTACT PROBE

**ICT** SERIES  
**50C** SIZE  
**T** TIP STYLE  
**5.4** SPRING FORCE  
**G** PLATING OPTION  
**S** STEEL PLUNGER OPTION

**SERIES:** ICT: High Performance  
S: Standard  
**SPRING FORCE:** 3.2 oz. @ .170 (4,32) travel  
5.4 oz. @ .170 (4,32) travel  
**CRIMPING PLIERS:** CPRCO  
**INSERTION TOOL:** RTRCO

## RECEPTACLE

**RC** SERIES  
**0** SIZE  
**CR** TERMINATION

**TERMINATIONS:**  
 CR: Crimp  
 SC: Solder Cup  
 WW-016: Wire wrap .016 sq  
 WW-025: Wire Wrap .025 sq  
 DS: DuraSeal  
 WT: Wire Plug Receptacle\*\*  
 WT-EZ: Wire Plug Terminal\*  
 \* Unless otherwise specified, wire length 36", strip length 1", 30 gage Kynar  
 \*\* Requires WT-EZ plug-in terminal

View updates of this information at <http://www.idinet.com>

Specifications subject to change without notice. Dimensions in inches (millimeters)