

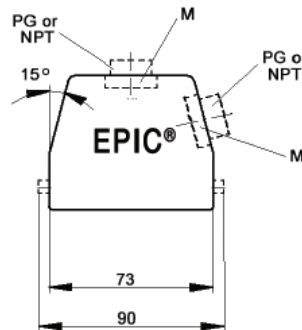
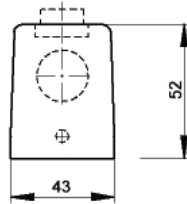
EPIC® Rectangular Connectors



HBE 10 Housings: Single Lever on Base

HOODS

TOP ENTRY



SIDE ENTRY



All dimensions are in mm.

Specifications: DIN 43652
Temperature Range: -40°C to +125°C

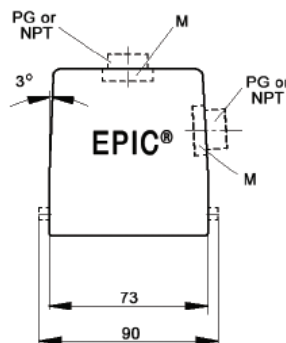
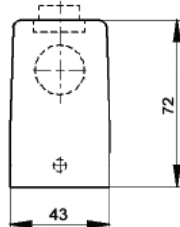
Protection class: NEMA 4, NEMA 12, IP65
Material: Aluminum alloy, powder coated

Position of Cable Entry	Size of Entry			Part Numbers			Complete your installation with a SKINTOP®, Pg 352			
	PG	NPT	Metric	PG	NPT	Metric	PG- Nylon	PG- Metal	Metric- Nylon	Metric- Metal
Top Entry	16	1/2"	20	10040900	100409NP	19040900	53015140	52015740	53111020	53112020
	21	3/4"	25	10040700	100407NP	19040700	53015150	52015750	53111030	53112030
Side Entry	16	1/2"	20	10042900	100429NP	19042900	53015140	52015740	53111020	53112020
	21	3/4"	25	10042800	100428NP	19042800	53015150	52015750	53111030	53112030

Top Entry metric hoods do not come with a neck.

HIGH PROFILE HOODS

TOP ENTRY



SIDE ENTRY



All dimensions are in mm.

Specifications: DIN 43652
Temperature Range: -40°C to +125°C

Protection class: NEMA 4, NEMA 12, IP65
Material: Aluminum alloy, powder coated

Position of Cable Entry	Size of Entry			Part Numbers			Complete your installation with a SKINTOP®, Pg 352			
	PG	NPT	Metric	PG	NPT	Metric	PG- Nylon	PG- Metal	Metric- Nylon	Metric- Metal
Top Entry	21	3/4"	25	70044200	700442NP	79044200	53015150	52015750	53111030	53112030
	29	1"	32	70044400	700444NP	79044400	53015160	52015760	53111040	53112040
Side Entry	21	3/4"	25	70054200	700542NP	79054200	53015150	52015750	53111030	53112030
	29	1"	32	70054400	700544NP	79054400	53015160	52015760	53111040	53112040

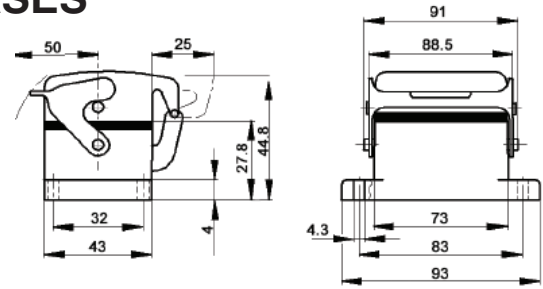
High Profile Metric hoods do not come with a neck.

EPIC® Rectangular Connectors



HBE 10 Housings: Single Lever on Base

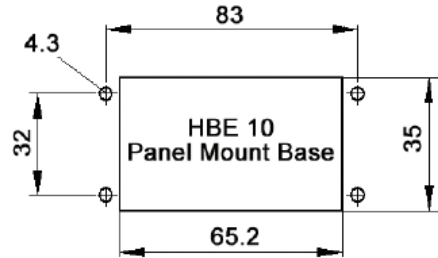
PANEL MOUNT BASES



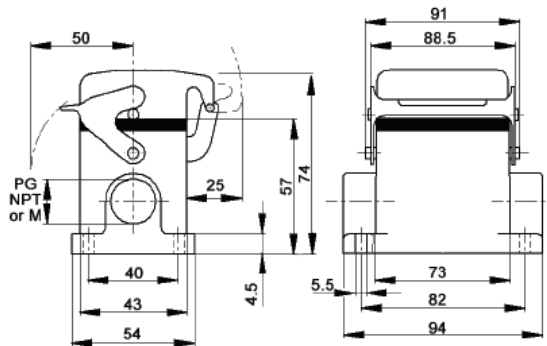
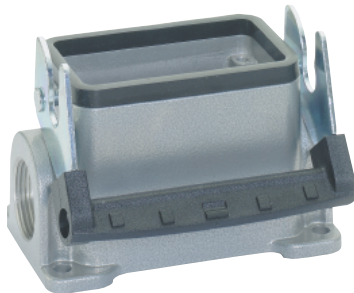
Specifications: DIN 43652
Temperature Range: -40°C to +125°C
Protection class: NEMA 4, NEMA 12, IP65
Material: Aluminum alloy, powder coated

Description	Part Numbers
Panel Mount without Dust Cover	10032900
Panel Mount with Dust Cover	10033900

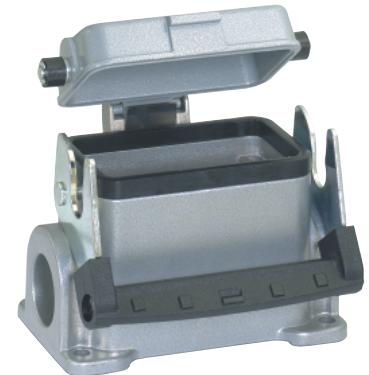
All dimensions are in mm.



SURFACE MOUNT BASES



All dimensions are in mm.



Specifications: DIN 43652
Temperature Range: -40°C to +125°C

Protection class: NEMA 4, NEMA 12, IP65
Material: Aluminum alloy, powder coated

# of Entries	Size of Entry			Part Numbers			Complete your installation with a SKINTOP®, Pg 352			
	PG	NPT	Metric	PG	NPT	Metric	PG- Nylon	PG- Metal	Metric- Nylon	Metal
2 Entries	16	1/2"	20	10035900	100359NP	19035900	53015140	52015740	53111020	53112020
1 Entry	16	1/2"	20	10034900	100349NP	19034900	53015140	52015740	53111020	53112020
	21	3/4"	25	10034700	100347NP	19034700	53015150	52015750	53111030	53112030
2 Entries w/ dust cover	16	1/2"	20	10038900	100389NP	19038900	53015140	52015740	53111020	53112020
1 Entry with dust cover	16	1/2"	20	10036900	100369NP	19036900	53015140	52015740	53111020	53112020

DUST COVERS WITH ATTACHMENT STRING

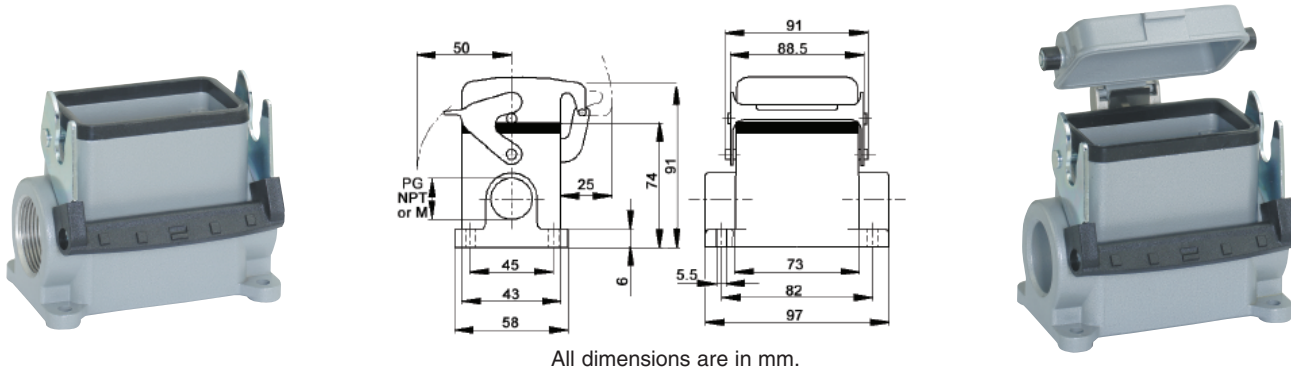


Material: Thermoplastic Resin

Temperature: -40°C to 125°C

	Part #
Dust cover with single lever for HBE 10 Hoods	10048600
Dust cover with single lever bolts for HBE 10 Panel Mount or Surface Mount Base/ Cable Coupler Hood	10048700

HIGH PROFILE SURFACE MOUNT BASES



All dimensions are in mm.

Specifications: DIN 43652
Temperature Range: -40°C to +125°C

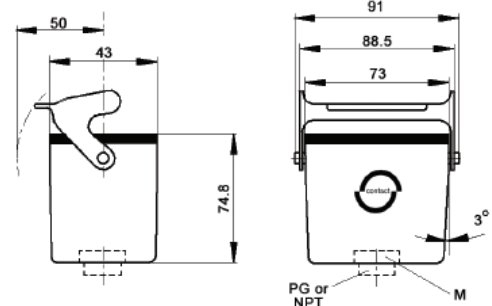
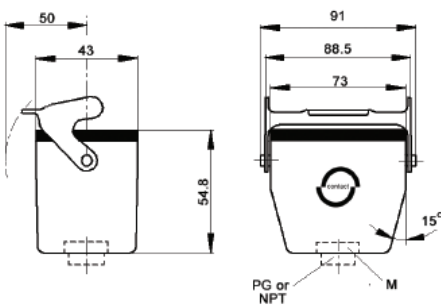
Protection class: NEMA 4, NEMA 12, IP65
Material: Aluminum alloy, powder coated

# of Entries	Size of Entry			Part Numbers			Complete your installation with a SKINTOP®, Pg 352			
	PG	NPT	Metric	PG	NPT	Metric	PG- Nylon	PG- Metric	Metric- Nylon	Metric- Metal
2 Entries	21	3/4"	25	70061200	700612NP	79061200	53015150	52015750	53111030	53112030
	29	1"	32	70061400	700614NP	79061400	53015160	52015760	53111040	53112040
1 Entry	21	3/4"	25	70060200	700602NP	79060200	53015150	52015750	53111030	53112030
	29	1"	32	70060400	700604NP	79060400	53015160	52015760	53111040	53112040
2 Entries with dust cover	21	3/4"	25	70065200	700652NP	79065200	53015150	52015750	53111030	53112030
	29	1"	32	70065400	700654NP	79065400	53015160	52015760	53111040	53112040
1 Entry with dust cover	21	3/4"	25	70064200	700642NP	79064200	53015150	52015750	53111030	53112030
	29	1"	32	70064400	700644NP	79064400	53015160	52015760	53111040	53112040

CABLE COUPLER HOODS

STANDARD PROFILE

HIGH PROFILE



Specifications: DIN 43652
Temperature Range: -40°C to +125°C

Protection class: NEMA 4, NEMA 12, IP65
Material: Aluminum alloy, powder coated

Profile	Size of Entry			Part Numbers			Complete your installation with a SKINTOP®, Pg 352			
	PG	NPT	Metric	PG	NPT	Metric	PG- Nylon	PG- Metal	Metric- Nylon	Metric- Metal
Standard Profile	16	1/2"	20	10046900	100469NP	19046900	53015140	52015740	53111020	53112030
	21	3/4"	25	70042200	700422NP	79042200	53015150	52015750	53111030	53112030
High Profile	21	3/4"	25	70042400	700424NP	79042400	53015150	52015750	53111030	53112030
	29	1"	32	70042600	700426NP	79042600	53015160	52015760	53111040	53112040

Cable coupler metric hoods do not come with a neck.

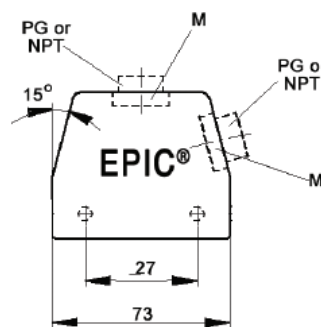
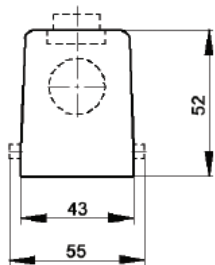
EPIC® Rectangular Connectors



HBE 10 Housings: Double Levers on Base

HOODS

TOP ENTRY



SIDE ENTRY



All dimensions are in mm.

Specifications: DIN 43652
Temperature Range: -40°C to +125°C

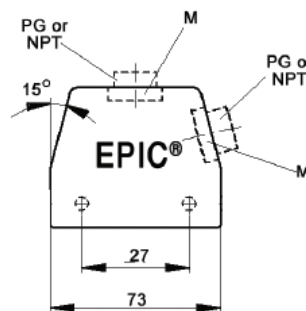
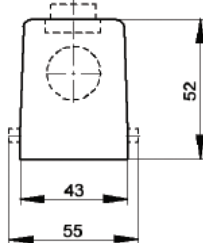
Protection class: NEMA 4, NEMA 12, IP65
Material: Aluminum alloy, powder coated

Position of Cable Entry	Size of Entry			Part Numbers			Complete your installation with a SKINTOP®, Pg 352			
	PG	NPT	Metric	PG	NPT	Metric	PG- Nylon	PG- Metal	Metric- Nylon	Metric- Metal
Top Entry	16	1/2"	20	10040000	100400NP	19040000	53015140	52015740	53111020	53112020
	21	3/4"	25	10040100	100401NP	19040100	53015150	52015750	53111030	53112030
Side Entry	16	1/2"	20	10042000	100420NP	19042000	53015140	52015740	53111020	53112020
	21	3/4"	25	10042100	100421NP	19042100	53015150	52015750	53111030	53112030

Top Entry Metric hoods do not come with a neck.

HIGH PROFILE HOODS

TOP ENTRY



SIDE ENTRY



All dimensions are in mm.

Specifications: DIN 43652
Temperature Range: -40°C to +125°C

Protection class: NEMA 4, NEMA 12, IP65
Material: Aluminum alloy, powder coated

Position of Cable Entry	Size of Entry			Part Numbers			Complete your installation with a SKINTOP®, Pg 352			
	PG	NPT	Metric	PG	NPT	Metric	PG- Nylon	PG- Metal	Metric- Nylon	Metric- Metal
Top Entry	21	3/4"	25	70050400	700504NP	79050400	53015150	52015750	53111030	53112030
	29	1"	32	70050600	700506NP	79050600	53015160	52015760	53111040	53112040
Side Entry	21	3/4"	25	70052400	700524NP	79052400	53015150	52015750	53111030	53112030
	29	1"	32	70052600	700526NP	79052600	53015160	52015760	53111040	53112040

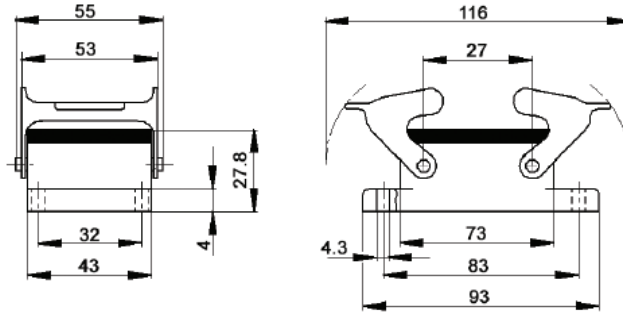
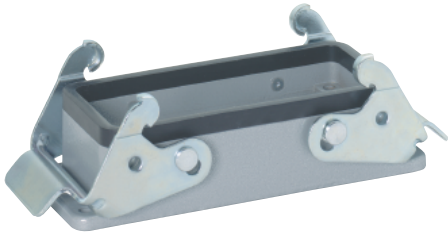
High Profile Metric hoods do not come with a neck.

EPIC® Rectangular Connectors



HBE 10 Housings: Double Levers on Base

PANEL MOUNT BASES

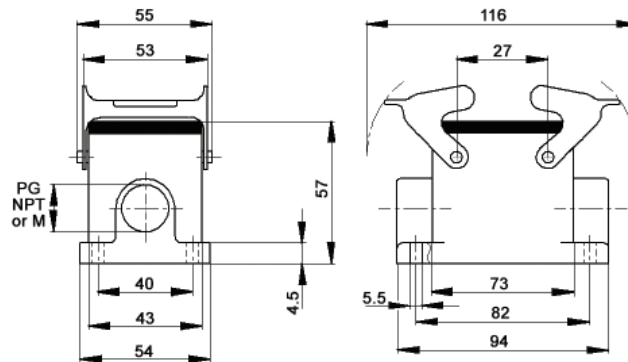
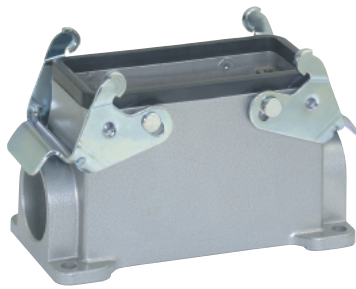


All dimensions are in mm.

Specifications: DIN 43652
Temperature Range: -40°C to +125°C
Protection class: NEMA 4, NEMA 12, IP65
Material: Aluminum alloy, powder coated

Description	Part Numbers
Panel Mount without Dust Cover	100320C0

SURFACE MOUNT BASES

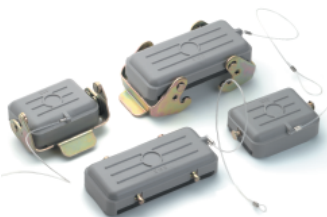


All dimensions are in mm.

Specifications: DIN 43652
Temperature Range: -40°C to +125°C
Protection class: NEMA 4, NEMA 12, IP65
Material: Aluminum alloy, powder coated

# of Entries	Size of Entry			Part Numbers			Complete your installation with a SKINTOP®, Pg 352			
	PG	NPT	Metric	PG	NPT	Metric	PG- Nylon	PG- Metal	Metric- Nylon	Metric- Metal
2 Entries without cover	16	1/2"	20	100350C0	100350NP	19035000	53015140	52015740	53111020	53112020
	-	-	25	-	-	19035100	-	-	53111030	53112030
1 Entry without dust cover	16	1/2"	20	100340C0	100340NP	19034000	53015140	52015740	53111020	53112020
	-	-	25	-	-	19034100	-	-	53111030	53112030

DUST COVERS WITH ATTACHMENT STRING



Material: Thermoplastic Resin **Temperature:** -40°C to +125°C

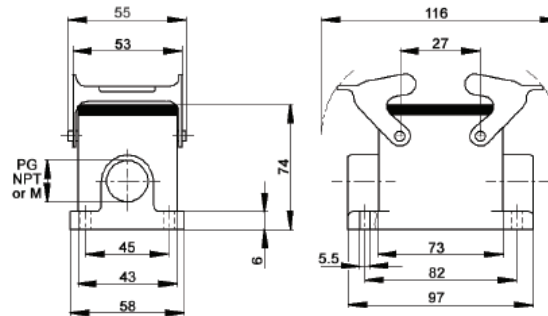
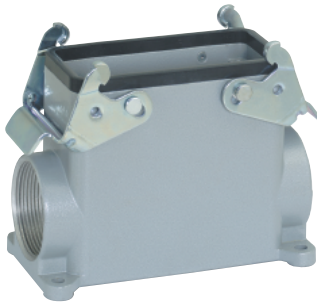
Description	Part #
Dust cover with double levers and gasket for HBE 10 Hoods	10048500
Dust cover with double lever bolts for HBE 10 Panel Mount or Surface Mount Base/ Cable Coupler Hood	10047000
Dust cover with double lever bolts and gasket for HBE 10 Hoods	10047100

EPIC® Rectangular Connectors

HBE 10 Housings: Double Levers on Base



HIGH PROFILE SURFACE MOUNT BASES



All dimensions are in mm.

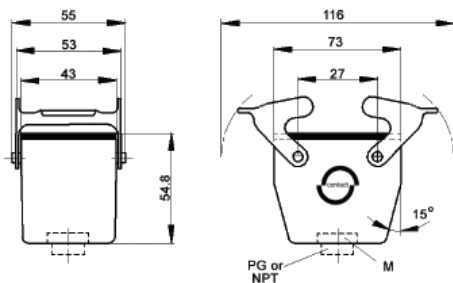
Specifications: DIN 43652
Temperature Range: -40°C to +125°C

Protection class: NEMA 4, NEMA 12, IP65
Material: Aluminum alloy, powder coated

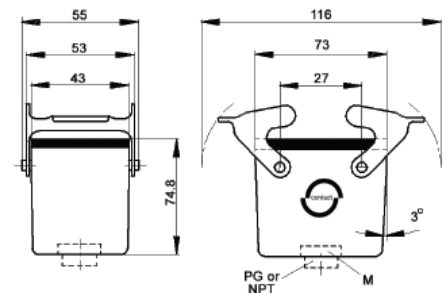
# of Entries	Size of Entry			Part Numbers			Complete your installation with a SKINTOP®, Pg 352			
	PG	NPT	Metric	PG	NPT	Metric	PG- Nylon	PG- Metal	Metric- Nylon	Metric- Metal
2 Entries without cover	21	3/4"	25	70036200	700362NP	79036200	53015150	52015750	53111030	53112030
	29	1	32	70036400	700364NP	79036400	53015160	52015760	53111040	53112040
1 Entry without dust cover	21	3/4"	25	70035200	700352NP	79035200	53015150	52015750	53111030	53112030
	29	1"	32	70035400	700354NP	79035400	53015160	52015760	53111040	53112040

CABLE COUPLER HOODS

STANDARD PROFILE



HIGH PROFILE



All dimensions are in mm.

Specifications: DIN 43652
Temperature Range: -40°C to +125°C

Protection class: NEMA 4, NEMA 12, IP65
Material: Aluminum alloy, powder coated

Profile	Size of Entry			Part Numbers			Complete your installation with a SKINTOP®, Pg 352			
	PG	NPT	Metric	PG	NPT	Metric	PG- Nylon	PG- Metal	Metric- Nylon	Metric- Metal
Standard Profile	16	1/2"	20	100460C0	100460NP	19046000	53015140	52015740	53111020	53112030
	21	3/4"	25	70040200	700402NP	79040200	53015150	52015750	53111030	53112030
High Profile	21	3/4"	25	70040400	700404NP	79040400	53015150	52015750	53111030	53112030
	29	1"	32	70040600	700406NP	79040600	53015160	52015760	53111040	53112040

Metric hoods do not come with a neck.