



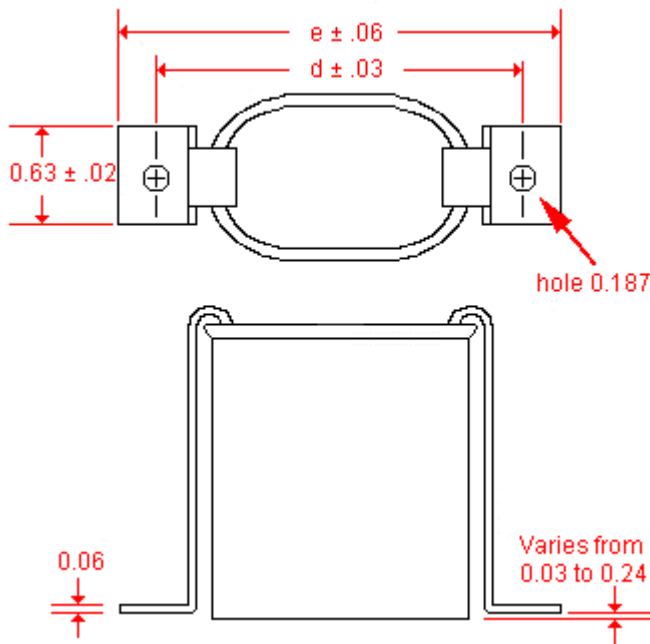
## Mounting Hardware

### Footed Brackets for Oval Case Styles

2 per Capacitor

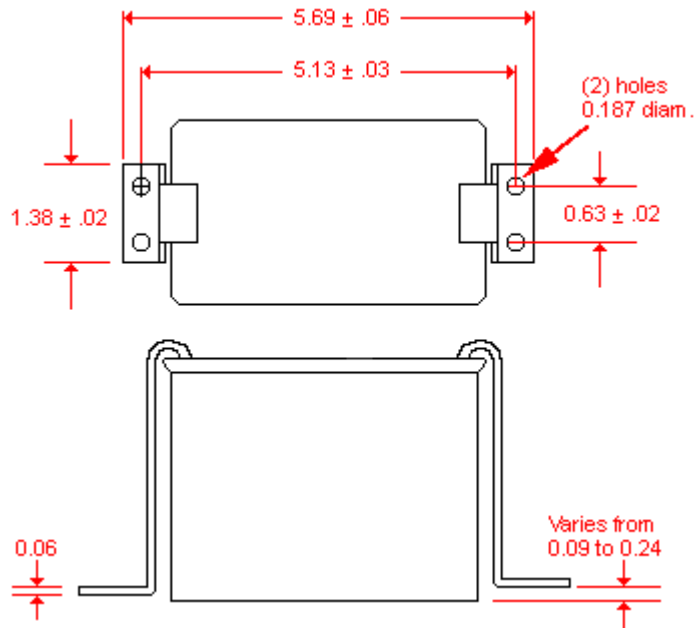
Case Height	Bracket Part Number
2.12	302C920-210
2.38	302C920-208
2.62	302C920-200
2.88	302C920-113
3.12	302C920-179
3.50	302C920-119
3.88	302C920-115
4.25	302C920-122
4.50	302C920-211
4.75	302C920-116
5.25	302C920-153
5.50	302C920-233
5.75	302C920-209
6.25	302C920-152
6.75	302C920-213
7.25	302C920-214

Case Style	d	e
A	2.56	3.00
B	3.13	3.56
C	3.38	3.81
D	4.13	4.56



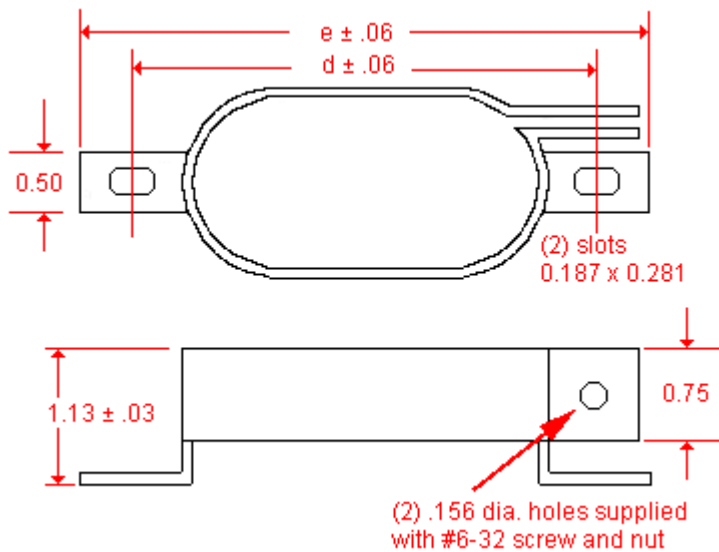
### Footed Brackets for Rectangular Case Style G

Case Height	Bracket Number
5.18	302C920-189
6.25	302C920-190
7.25	302C920-207
8.00	302C920-194
9.00	302C920-196



### Universal Wraparound Brackets for Oval Case Styles

Case Style	Bracket Part Number	d	e
A	128A2244AC-21	2.69	3.13
B	128A2244AB-25	3.27	3.70
C	128A2244AB-22	3.44	3.88
D	128A2244AB-23	4.19	4.63



### Wraparound Brackets for Oval Case Styles

Case Style	Bracket Part Number	d	e	w	t
A	9827065-21	2.56	2.94	0.50	0.02
B	9827065-31	3.06	3.50	0.63	0.02
C	614A301-61	3.31	3.81	0.75	0.03
D	614A301-51	4.06	4.56	0.75	0.03

