




OB SERIES

RELAY SOCKETS

DESCRIPTION	8 and 11 Pin Octal Sockets
ELECTRICAL RATING	• 300 Volts, 10 Amps
CONSTRUCTION	Contacts • Phosphor Bronze, Tin Plated Molding • Break Resistant Thermoplastic
AGENCY APPROVALS	• UL recognized, File No. E60008  • CSA certified, File No. LR29513  • CE 

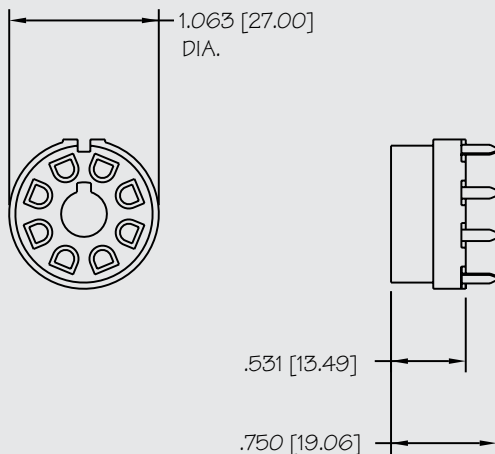
ORDERING CODE

PART NO.	DESCRIPTION	TERMINAL TYPE
OB08-PCB	DPDT, 8 Pin Octal (Fig. 1)	PC Board
OB11-PCB	3PDT, 11 Pin Octal Style (Fig. 2)	PC Board



CUSTOM CONNECTOR

Fig. 1



PC BOARD LAYOUT

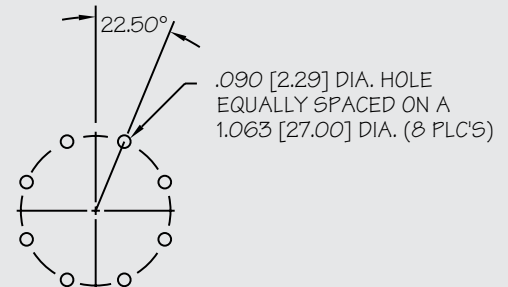
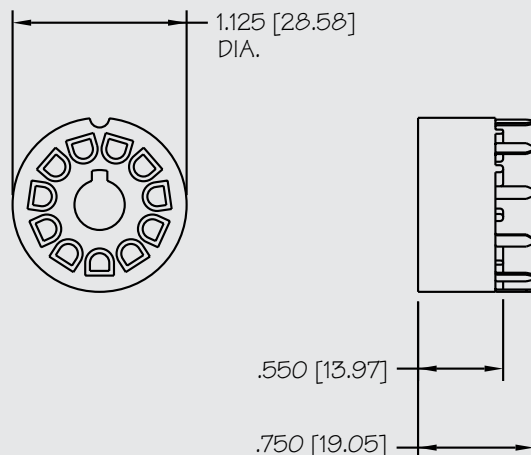


Fig. 2



PC BOARD LAYOUT

