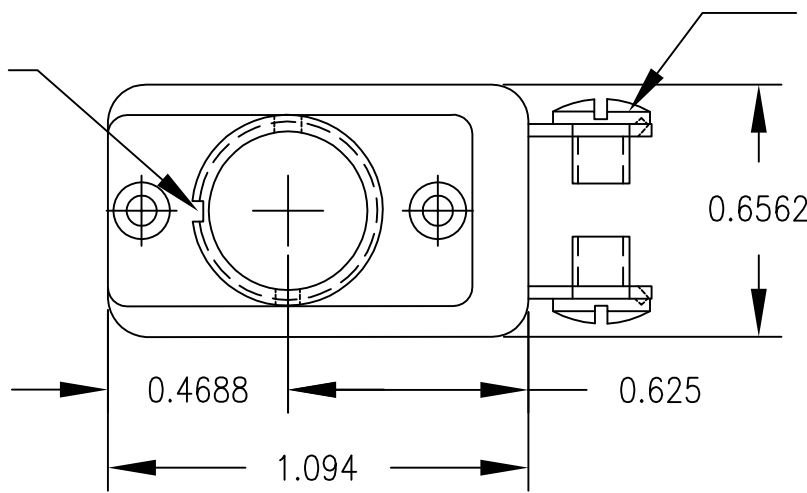
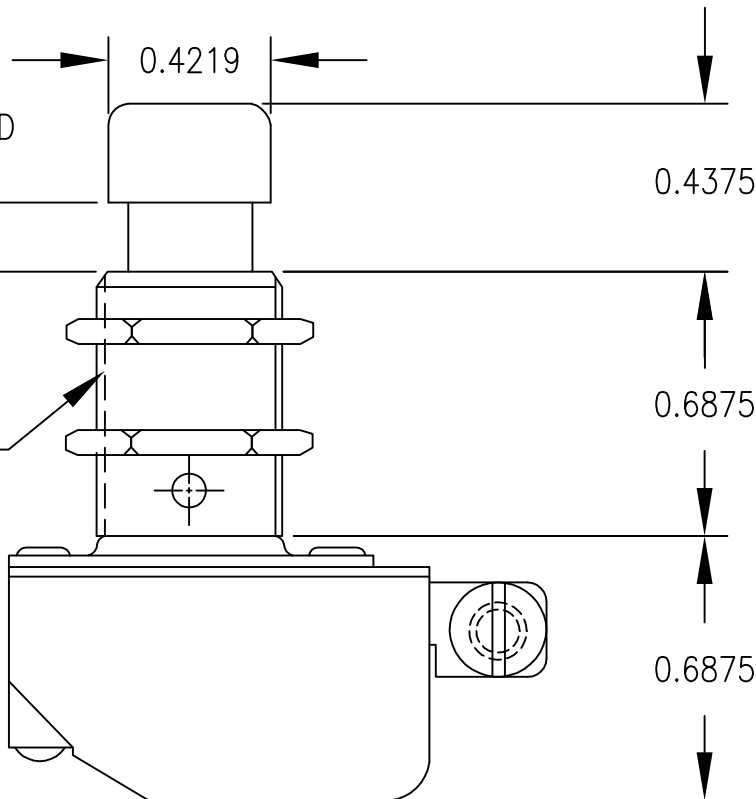


.075 WIDE x .040 DEEP
.068 .035
KEYWAY

#5-40 x 3/32
BIND. HD. SCR.



0.180 MIN.
BUTTON TRAVEL
ENTIRE STROKE REQUIRED
TO OPERATE SWITCH



EATON PART NO.: 7208K104

CRITICAL DIMENSION	PROCESS CONTROL DIMENSION	THIRD ANGLE PROJECTION
--------------------	---------------------------	----------------------------

TITLE DIM DWG FOR PUSH-PUSH BUTTON

DV. NO.

REQUIREMENTS OF 50-2500, 50-1930 AND 50-34191 SHALL APPLY TO THIS DRAWING UNLESS OTHERWISE SPECIFIED. DIMENSIONS BEFORE COATING ARE SPECIFIED—ALLOWANCES HAVE BEEN MADE FOR COATINGS EXCEPT ON THREADS.

THIS DOCUMENT, INCLUDING THE DRAWING AND INFORMATION CONTAINED THEREON, IS CONFIDENTIAL AND IS THE EXCLUSIVE PROPERTY OF EATON CORPORATION, AND IS MERELY ON LOAN AND SUBJECT TO RECALL BY EATON AT ANY TIME. BY TAKING POSSESSION OF THIS DOCUMENT, THE RECIPIENT ACKNOWLEDGES AND AGREES THAT THIS DOCUMENT CANNOT BE USED IN ANY MANNER ADVERSE TO THE INTERESTS OF EATON, AND THAT NO PORTION OF THIS DOCUMENT MAY BE COPIED OR OTHERWISE REPRODUCED WITHOUT THE PRIOR WRITTEN CONSENT OF EATON. IN THE CASE OF CONFLICTING CONTRACTUAL PROVISIONS, THIS NOTICE SHALL GOVERN THE STATUS OF THIS DOCUMENT.

RAW MAT. DESCR.	PART NO.	DO NOT SCALE DRAWING. WORK ACCORDING TO DIMENSIONS.	
-----------------	----------	---	--

A	RELEASED		DR.	SC	5-7-10	ECO	XXXXX
			CHK.	TH	5-7-10	WHERE USED	
			APP.	TH	5-7-10	SCALE	NTS



AEROSPACE & COMMERCIAL
CONTROLS DIVISION

A

90-27177

A REV.