

Heavy Duty Terminal Blocks

...Thermoplastic

1700 Series

600 Volts

Specifications:

- Base, Thermoplastic, 125°C (UL RTI)
- Connector, Brass, Nickel Plated
- Screws, Brass, Nickel Plated, 10-32
- Rated 30 Amps with unprepared wire, #10-16 AWG Copper
- Rated 75 Amps when wired with crimp type ring, spade or fork lugs
- 5/8" (.625") Line To Line Spacing
- UL Recognized File No. XCFR2.E62806
- CSA Certified File No. LR19766
- CE

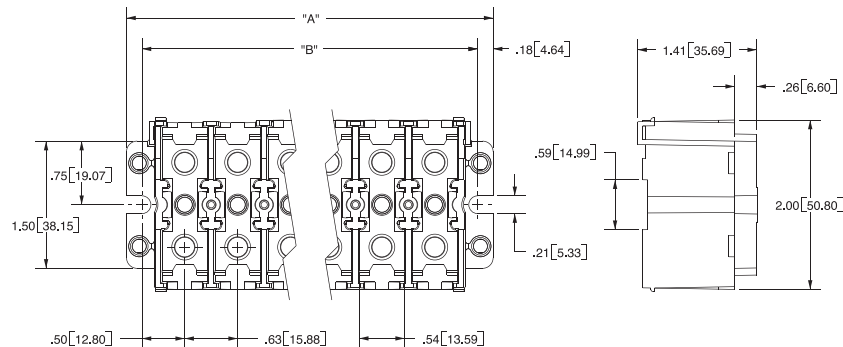


# of Poles	Standard Terminal	Short Circuit Terminal	Cover	Dimensions	
				A	B
2	1702 STD	1702 SC	CC 1702	2.00	1.64
3	1703 STD	1703 SC	CC 1703	2.63	2.26
4	1704 STD	1704 SC	CC 1704	3.25	2.89
5	1705 STD	1705 SC	CC 1705	3.88	3.51
6	1706 STD	1706 SC	CC 1706	4.50	4.14
7	1707 STD	1707 SC	CC 1707	5.13	4.76
8	1708 STD	1708 SC	CC 1708	5.75	5.39
9	1709 STD	1709 SC	CC 1709	6.38	6.01
10	1710 STD	1710 SC	CC 1710	7.00	6.64
11	1711 STD	1711 SC	CC 1711	7.63	7.26
12	1712 STD	1712 SC	CC 1712	8.25	7.89

STD = Standard Terminal - Connector Plate, 2 Phil-Slot Screws, Center M/S

SC = Short Circuit Terminal

CC = Cover - Clear PVC snap on cover, sized to fit and protect



Heavy Duty Terminal Blocks