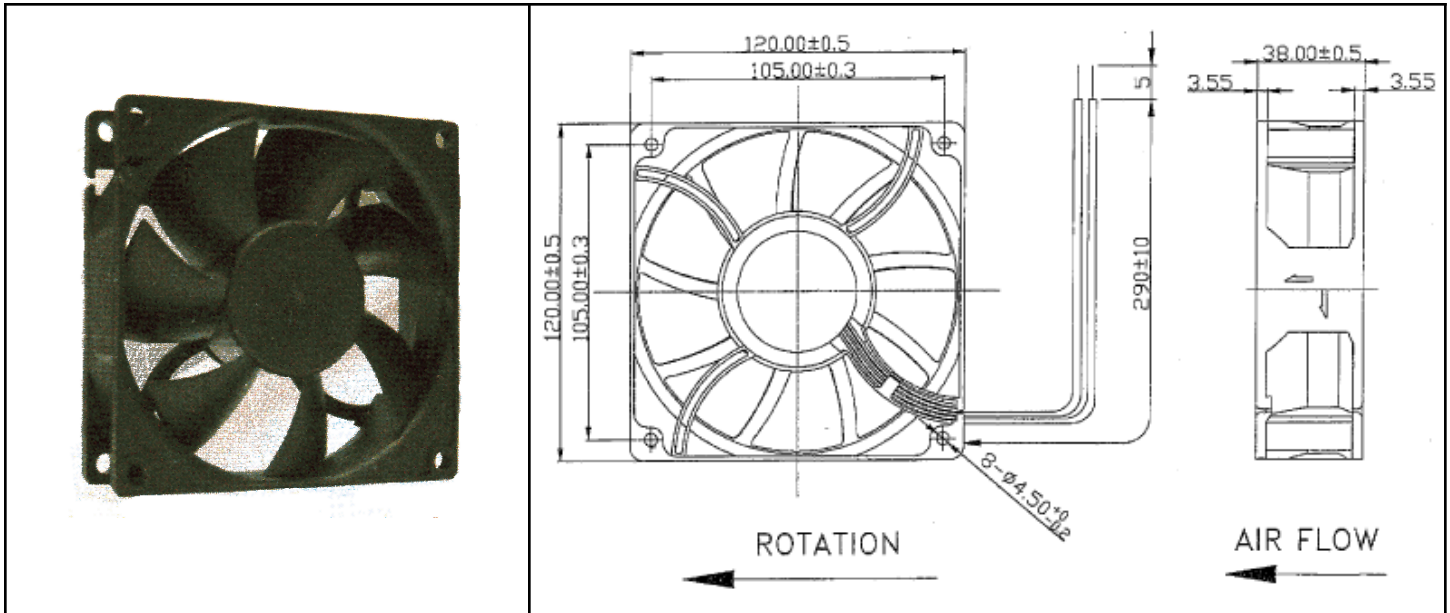


# OD1238 - 'XC Series'



High Performance, DC Fan  
120x38mm (4.7"x 1.5")



Frame & Impeller	PBT, UL94V-O plastic	<b>Available Options:</b> Tachometer (Frequency Generator) Alarm (Rotation Detector) Thermistor (Thermal Speed Control) Lead or hub mounted	
Connection	2x Lead wires 24AWG		
Motor	Brushless DC, auto restart, polarity protected		
Bearing System	Dual ball bearing		
Insulation Resistance	10M ohm between leadwire and frame (500VDC)		
Dielectric Strength	1 second at 500 VAC, max leakage - 500 MicroAmp		
Temperature Range	-10C ~ +70C		
Life (L10)	65,000 hours (45C)		

Model Number	Speed (RPM)	Airflow (CFM)	Noise (dB)	Volts DC	Input Power (Watts)	Amps	Max. Static Pressure (\"H2O)
OD1238-12HB-XC	4300	200	61	12	23	1.95	0.64
OD1238-12MB-XC	3800	175	57	12	18	1.50	0.51
OD1238-12LB-XC	3200	150	52	12	10	0.87	0.38
OD1238-24MB-XC	3800	175	57	24	16	0.68	0.51
OD1238-24LLB-XC	2800	130	48	24	7	0.30	0.29
OD1238-48HHB-XC	4700	220	63	48	32	0.68	0.75
OD1238-48HB-XC	4300	200	61	48	25	0.52	0.64
OD1238-48MB-XC	3800	175	57	48	17	0.36	0.51
OD1238-48LB-XC	3200	150	52	48	11	0.22	0.38
OD1238-48LLB-XC	2800	130	48	48	9	0.18	0.29

10557 Metric Drive  
Dallas, Texas 75243



OrionFans.com  
Information and data is subject to change without prior notification.

---

**Subject: RE: Fan Question**

**Date:** Friday, December 18, 2009 9:05 AM

**From:** Larry Luder <lluder@knightonline.com>

**Reply-To:** <lluder@knightonline.com>

**To:** Jim Beard <p\_beard@ms.alliedelec.com>

**Conversation:** Fan Question

Jim, the LLB and HHB are not good part numbers, Please use the single LBXC and HBXC part numbers.

Thanks,  
Larry

---

**From:** Jim Beard [mailto:Jim.Beard@alliedelec.com]

**Sent:** Friday, December 18, 2009 6:56 AM

**To:** lluder@knightonline.com

**Subject:** Fan Question

We show two numbers real close to yours but I can't find a data sheet on them

We show

OD1238-24LBXC

OD1238-24HBXC

You show in the XC data sheet

OD1238-24LLB-XC

OD1238-48HHB-XC

At first I thought we just missed a L and an H but then I saw you had One of both in the 48 volt (OD1238-48LB-XC and OD1238-48LLB-XC) 1 L and 2 L's

Are we missing a letter or is their a different data sheet

Jim Beard

Group # 682.757.9204; Internal: 66004

Direct # 817.595.8511; Internal: 77511

Technical Support  
Allied Electronics Inc.  
Fort Worth, TX  
501-225-8158 FAX