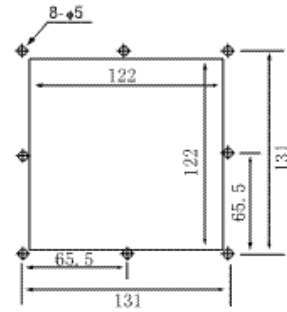
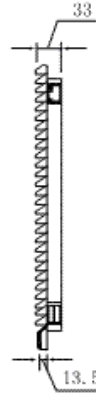
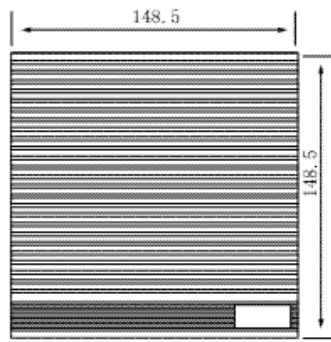


Louvered Fan Guards

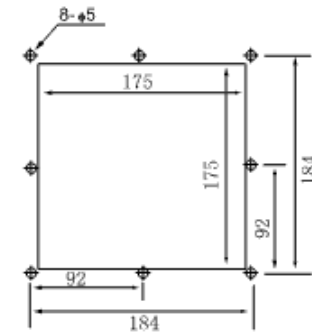
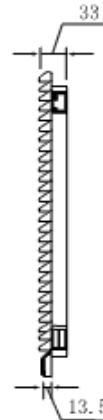
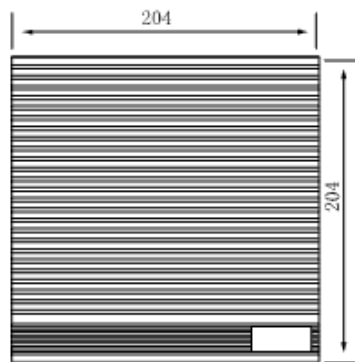
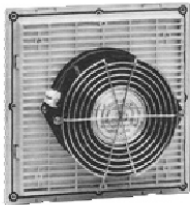


Filter Kits for 120mm (4.7"),
172mm (6.7") & 254mm (10") Fans

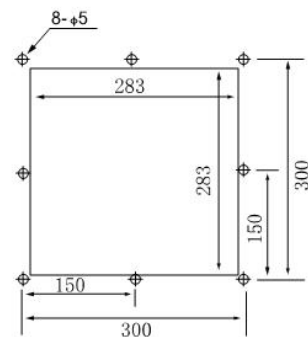
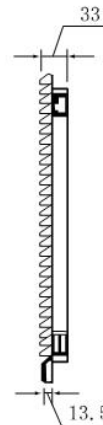
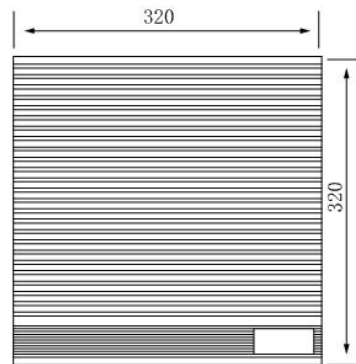
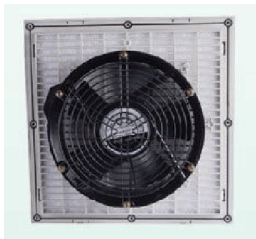
LFG120B
Filter kit for
120mm fan



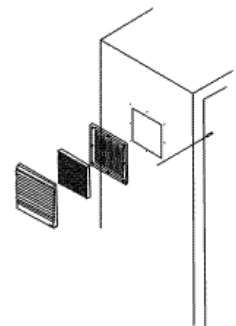
LFG172B
Filter kit for
172mm fan



LFG254B
Filter kit for
254mm fan



Part Number	LFG120B	LFG172B	LFG254B
Frame Description	ABS Resin - flame resistant UL94V-0, Vents with screens at 45-degree angle. High foam sealing edge available by special order - protection grade IP44-IP54.		
Filter Mesh Material	Nylon Fiber - Synthetic Resin, filters to 8 microns.		
Color	Black is standard. Gray is available on request. To specify gray remove "B" from part number. Minimums may apply.		



10557 Metric Drive
Dallas, Texas 75243

OrionFans.com

Information and data is subject to
change without prior notification.