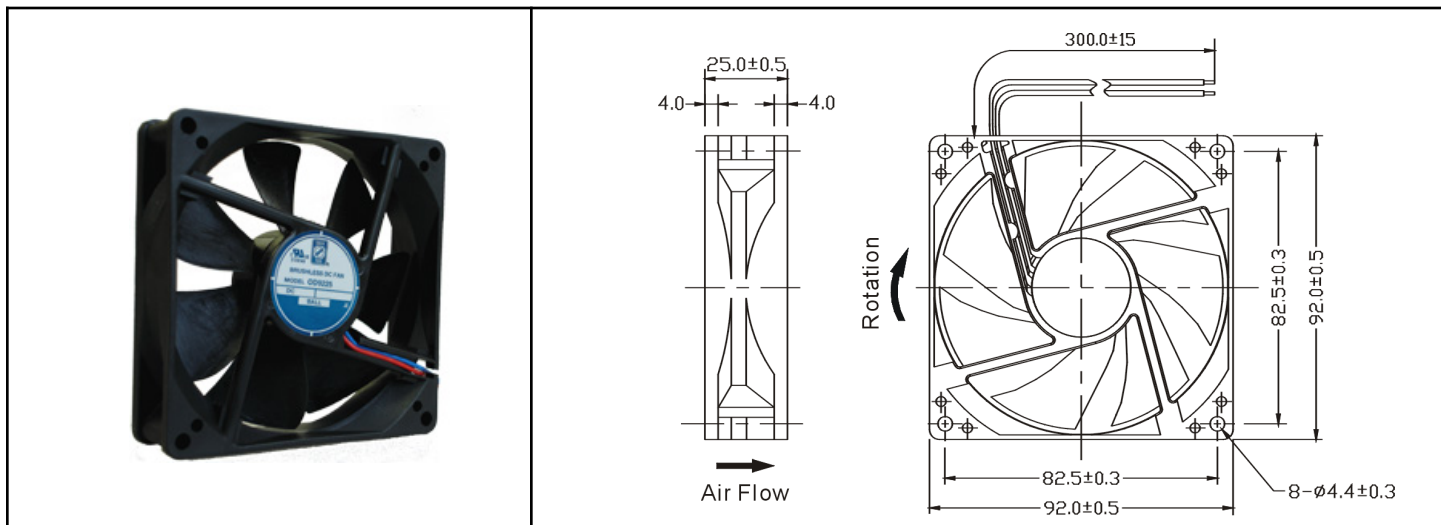


OD9225 'Challenger Series'



12V, High Speed, Sleeve
92x25mm (3.62"x 1.0")



Frame & Impeller	PBT, UL94V-O plastic	Available Options: Ball bearing units are available by special order Additional speeds and voltages are available by special order at comparable savings Available JIT worldwide	
Connection	2x Lead wires		
Motor	Brushless DC, auto restart, impedance and polarity protected		
Bearing System	Sleeve bearing		
Insulation Resistance	10M ohm between leadwire and frame (500VDC)		
Dielectric Strength	1 second at 500 VAC, max leakage - 500 MicroAmp		
Temperature Range	-10C ~ +60C		
Life (L10)	30,000 hours (45C)		

Part Number	OD9225-12HS-C
Nominal Voltage	12 VDC
Voltage Range	6 ~ 13.8
Nominal Current	0.23 A
Rated Power	2.2 W
Rated Speed (RPM)	2800
Airflow (CFM)	55
Noise Level (dB)	34
Max. Static Pressure	0.13" H ₂ O

Frame style: m4