


HBL61CM64 -- Weatherproof Straight Blade Inlet



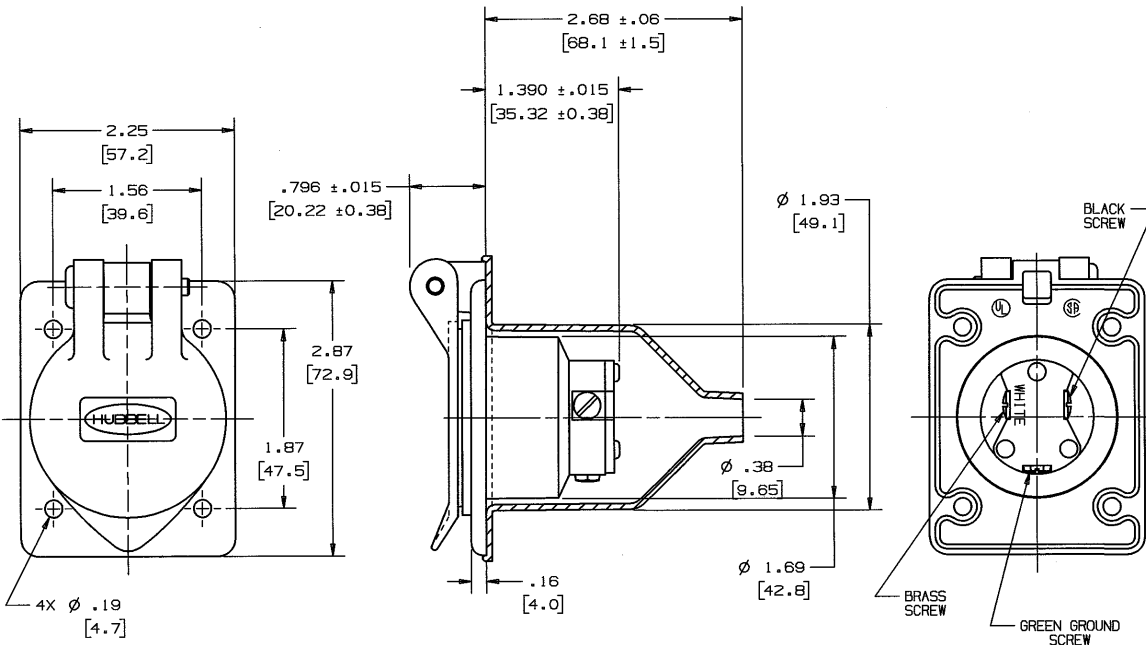
HBL61CM64

Compact gray nylon panel mount inlet ideal for bass boat battery charging connection. Has gasketed spring-loaded lift cover for weatherproofing front and neoprene boot for weatherproofing rear. Will accept both 15A 125V and 20A 125V 2 pole, 3 wire straight blade connector bodies.

Product Specifications

Product Type	Weatherproof Straight Blade Inlets
Rating	15A 125V, 2p3w
Blade Type	Straight Blade
Color	 Gray
Poles and Wires	2 Pole, 3 Wire Grounding
Approvals	UL, CSA
Moisture Resistance	IP20
M Drawings	Click here for M-Drawing
Catalog Page	Click here for catalog page V31
Hubbellnet	Click here for Hubbellnet
Catalog Section	Click here for Section-V
UPC Number	78358580865
Weight in LBS	0.3

M-5799 5



NOTES: (UNLESS OTHERWISE SPECIFIED)

- 1) DIMENSION FORMAT IS: INCHES (mm)
- 2) DIMENSIONS SHOWN ON THIS DRAWING ARE NOMINAL VALUES FOR GENERAL USE ONLY. ACTUAL PART TOLERANCES MUST BE OBTAINED FROM HUBBELL ENGINEERING.

CATALOG NUMBER	COVER AND FLANGE COLOR
HBL61CM64	GRAY
HBL61CM64BK	BLACK

LIST OF PARTS

DESCRIPTION	MATERIAL	FINISH
COVER FLAP	NYLON	SEE TABLE
BASE	NYLON	SEE TABLE
BASKET	EP	BLACK
HINGE PIN	BRASS	NICKEL PLATE
SPRING (FLAP)	ST. STEEL	
GROUND BINDING PLATE	.060 BRASS	NICKEL PLATE
GROUND BLADE	BRASS	NICKEL PLATE
CONTACT BLADES	.060 BRASS	BRASS
HEX HEAD BINDING SCREW	BRASS	GREEN
BINDING SCREWS	BRASS	BLACK
RETAINING WASHER	.051 PHENOLIC	
PROTECTIVE BOOT	NEOPRENE	GRAY

SUPERSEDES DRAWING DATED 11-18-74

5 REDRAWN ON CAD WITH CHANGES; TCM
 DECIMAL DIMENSIONS WERE FRACTIONAL ADDED DUAL DIMENSIONING; ADDED NOTES 1 & 2; REVISED TITLES IN LIST OF PARTS. "SEE TABLE"; WAS "GRAY"; UNDER "DIMENSION SHEET FOR CAT. NO." "SEE TABLE" WAS "61CM64"; PER DCN #8882.
 JMN TCM

SYM	REVISIONS	APP	DATE

THE DESIGN AND DIMENSIONS OF THE PRODUCT SHOWN ON THIS DRAWING ARE SUBJECT TO CHANGE WITHOUT NOTICE

TITLE
 WEATHERPROOF FLANGED INLET
 15AMP 125V. NEMA 5-15P

TOLERANCES UNLESS OTHERWISE SPECIFIED	WIRING DEVICE-KELLEYS HUBBELL INCORPORATED BRIDGEPORT, CT	
FRACTIONS ± 1/64	DR. BY CJG	APP. BY JNC
DECIMALS ± .005	TR. BY JMN	SCALE 1:1
ANGLES ± 2°	CHK'D BY TCM	DATE 11/9/01

DIMENSION SHEET FOR CAT. NO. SEE TABLE

REPAIRABLE

NON-REPAIRABLE

B

M-5799

5

Marine Products

15 Ampere, 125V AC

2 Pole 3 Wire

Straight Blade Devices



IP20
SUITABILITY



15A 125V

NEMA 5-15R

15A 125V AC Straight Blade Devices

Description	Catalog Numbers
Yellow single receptacle features Rynite® body and abuse resistant nylon face.	HBL52CM61
Yellow corrosion resistant duplex receptacle. Use where salt or other corrosive elements are a problem.	HBL52CM62
Same as #HBL52CM62 except ivory.	HBL52CM62I*
Yellow Insulgrip® plug has rugged nylon housing and detachable cord grip with range of .230"-.720" (5.8-18.3) that utilizes a unique offset jaws arrangement for secure strain relief.	HBL52CM66C
Yellow Seal-Tite® cover for weatherproofing straight blade Insulgrip plugs, #HBL52CM66C and #HBL53CM66C, when used with receptacles and connector bodies. Can also be used to weatherproof Insulgrip connector bodies when mating with flanged inlets. IP55 SUITABILITY. Not UL or CSA. Note: For Insulgrip® devices only.	HBL60CM17*+
Yellow Insulgrip® connector body has rugged nylon housing and detachable cord grip with range of .230" to .720" (5.8-18.3) that utilizes a unique offset jaws arrangement for secure strain relief.	HBL52CM69C
Yellow Seal-Tite® cover for weatherproofing straight blade Insulgrip connector bodies, #HBL52CM69C and #HBL53CM69C, on extension cords and adapters. IP55 SUITABILITY. Not UL or CSA. Note: For Insulgrip® devices only.	HBL60CM18*+
Yellow Valise® plug has one-piece nylon housing that assembles easily with two screws. Built-in cord grip has range of .220"-.660" (5.6-16.8).	HBL52CM66V
Yellow Valise® connector body has one-piece nylon housing that assembles easily with two screws. Built-in cord grip has range of .220"-.660" (5.6-16.8).	HBL52CM69V
Yellow Insulgrip® plug with anchor locking screw to prevent accidental pull-out. The plug is "locked" into the receptacle when the screw is turned down so the head is flush with the plug surface. The cord grip range is .296"-.687" (7.5-17.4). UL Recognized Component.	HBL52CM80C
Compact gray nylon panel mount inlet ideal for bass boat battery charging connection. Has gasketed spring-loaded lift cover for weatherproofing front and neoprene boot for weatherproofing rear. Will accept both 15A 125V and 20A 125V 2 pole, 3 wire straight blade connector bodies.	HBL61CM64
Same as #HBL61CM64 except black in color.	HBL61CM64BK*
Yellow Valox® spring-loaded lift cover plate for weatherproofing duplex receptacles. Stainless steel screws and neoprene gasket included for mounting to FS/FD type weatherproof boxes.	HBL52CM21*
Same as #HBL52CM21 except gray in color.	HBL5221*
Same as #HBL52CM21 except for mounting to standard boxes.	HBL52CM22*
Same as #HBL52CM22 except gray in color.	HBL5222*
Yellow Valox® spring-loaded lift cover plate for weatherproofing single straight blade receptacles. Stainless steel screws and neoprene gasket included. For mounting to FS/FD type weatherproof boxes. IP44 SUITABILITY.	HBL74CM23WO
Same as #HBL74CM23WO except gray in color. IP44 SUITABILITY.	HBL7423WO*

Notes: *Not shown.

+ Boots are not UL listable.

Rynite® is a registered trademark of E. I. DuPont.

Valox® is a registered trademark of General Electric Company.



HBL52CM61

HBL52CM62



HBL52CM66C



HBL52CM69C



HBL52CM66V



HBL52CM69V



HBL52CM80C



HBL74CM23WO
HBL7423WO



HBL61CM64