



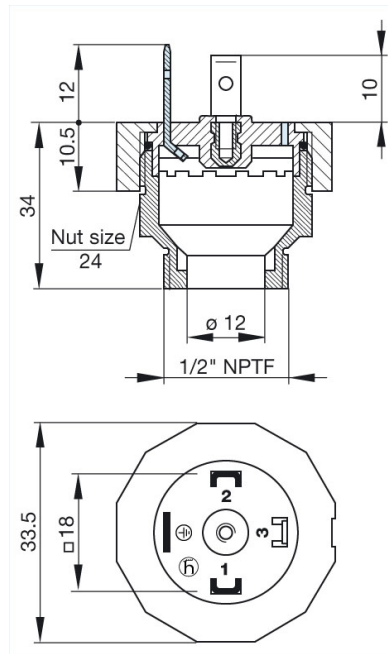
GSP 212 1/2"NPTF schwarz/black

Industrial Connectors:Rectangular connectors GDM-series:Type AEN 175301-803 (DIN 43650) / ISO 4400:Appliance connector

Product description

Description	appliance connector with thread, appliance connector, threaded sleeve, grip ring, o-ring (NBR)
Type	GSP 212 1/2"NPTF schwarz/black
Order No.	931 298-004
Number of contacts	2 + PE
Cable gland	1/2" NPTF
Standard	DIN EN 175 301-803-A
Housing Color	black
Construction type	A

Drawing



Technical data

Rated voltage	AC/DC 400 V
Rated current	16 A
Contact resistance	≤ 4 mOhm
Type of termination	solder
Mounting	screw

Material

Contact surface material	Sn
--------------------------	----

Contact bearer material	PA
Housing material	PA
Environmental conditions	
Protection class (IEC 60529)	IP 65 (gasket necessary) (mated)
Pollution severity	3
Temperature range	-40 °C to +125 °C
Inflammability class	
Contact bearer	94 HB
Approvals	
VDE	VDE
SEV	SEV
Packing unit	
Packaging unit	200 pieces