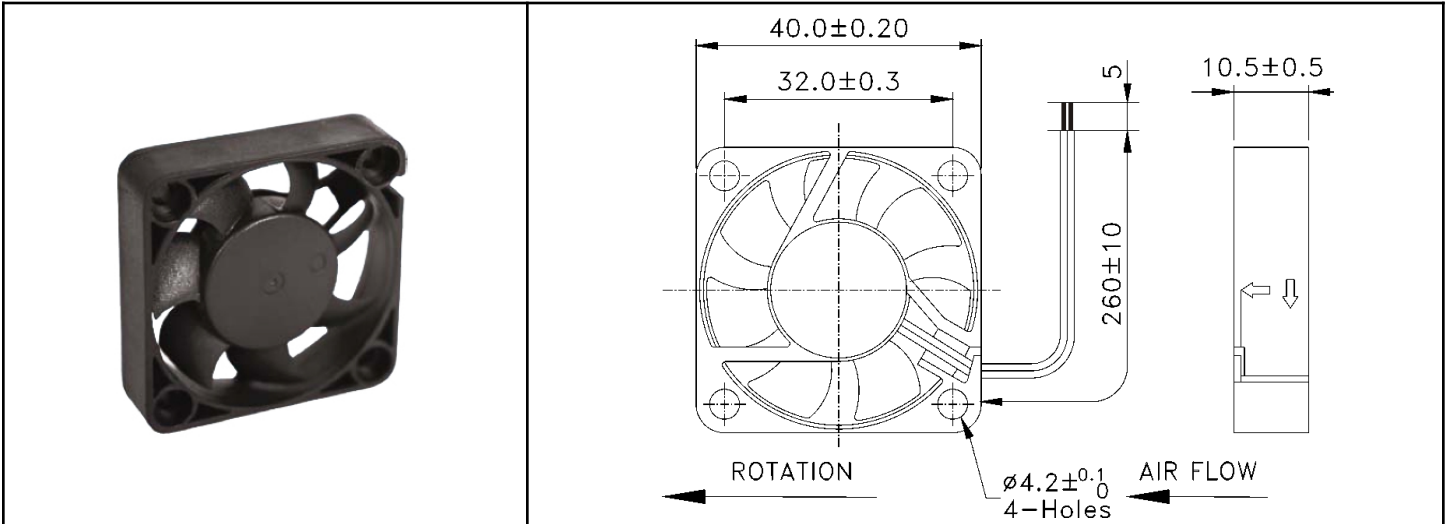


OD4010 Series



DC Fan - 5, 12, 24V
40x10mm (1.58"x 0.39")



| | | | |
|-----------------------|--|---|--|
| Frame & Impeller | PBT, UL94V-O plastic | Available Options: Sleeve Bearing Ball Bearing Tachometer Alarm Thermal control <u>Life Expectancy (L10)</u> >50,000 hrs (40C) <u>Operating Temperature</u> -10 ~ 70C | |
| Connection | 2x Lead wires 26AWG red(+) black (GND) | | |
| Motor | Brushless DC, auto restart, impedance and polarity protected | | |
| Bearing System | Sealed Sleeve | | |
| Insulation Resistance | 10M ohm between leadwire and frame (500VDC) | | |
| Dielectric Strength | 1 second at 500 VAC, max leakage - 500 MicroAmp | | |
| Storage Temperature | -30C ~ +90C | | |

| Model Number | Speed (RPM) | Airflow (CFM) | Noise (dB) | Volts DC | Voltage Range (VDC) | Amps | Max. Static Pressure ("H2O) |
|---------------|-------------|---------------|------------|----------|---------------------|------|-----------------------------|
| OD4010-05H SS | 6000 | 7 | 25 | 5 | 4 ~ 7 | 0.19 | 0.10 |
| OD4010-05MSS | 4800 | 6 | 20 | 5 | 4 ~ 7 | 0.11 | 0.08 |
| OD4010-05LSS | 4200 | 5 | 14 | 5 | 4 ~ 7 | 0.08 | 0.06 |
| OD4010-12HSS | 6000 | 7 | 25 | 12 | 7 ~ 14 | 0.10 | 0.10 |
| OD4010-12MSS | 4800 | 6 | 20 | 12 | 7 ~ 14 | 0.08 | 0.08 |
| OD4010-12LSS | 4200 | 5 | 14 | 12 | 7 ~ 14 | 0.07 | 0.06 |
| OD4010-24HSS | 6000 | 7 | 25 | 24 | 10 ~ 27 | 0.09 | 0.10 |
| OD4010-24MSS | 4800 | 6 | 20 | 24 | 10 ~ 27 | 0.08 | 0.08 |
| OD4010-24LSS | 4200 | 5 | 14 | 24 | 10 ~ 27 | 0.07 | 0.06 |

To indicate sleeve bearing replace "SS" suffix with "S" in part number (25,000 hrs life expectancy)

To indicate ball bearing replace "SS" with "B" in part number (60,000 hrs life expectancy)



10557 Metric Drive
Dallas, Texas 75243



OrionFans.com
Information and data is subject to change without prior notification.