

SEARCH OUR PRODUCTS


aluminum electrolytic & organic semiconductor


film


power film


tantalum ceramic



Aluminum Electrolytic Capacitors

+105°C High Frequency Low Impedance Radial Lead Aluminum Electrolytic Capacitor



Part Number: 158KXM035M

[General Specifications \(PDF\)](#)

[Special Order Options](#)

[KXM document \(PDF\)](#)

Electrical Specifications

Capacitance: 1,500.0 μ F
Tolerance: -20 %, +20 %
Dissipation Factor: 0.14 at 120 Hz
ESR: 0.155 Ohms at 20° C and 120 Hz
Impedance:
 0.015 Ohms at 20°C 100 kHz
 0.039 Ohms at -10°C 100 kHz

Temperature Range: -40°C to +105°C
WVDC: 35 volts DC
SVDC: 44. volts DC
Leakage Current:
 525.0 μ A after 2 Minutes
Ripple Current:
 3,400.0 mA at 100 kHz and 105°C

Impedance Ratios:

2.0 at -25°C/20°C

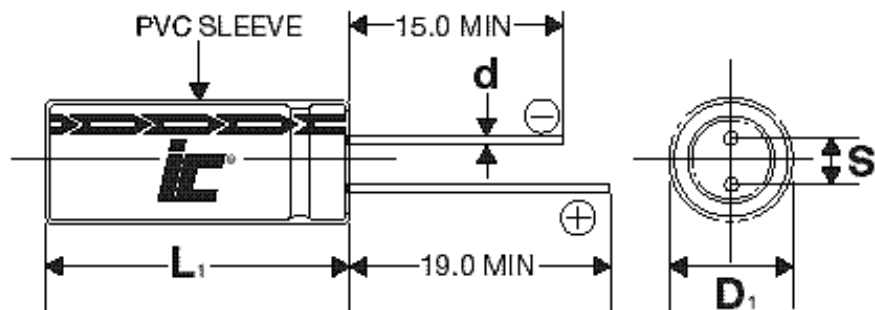
3.0 at -40°C/20°C

Load Life:

5000 Hours at 105°C with 100% of rated voltage and with 100% of rated ripple current

Physical Specifications

Diameter (D): 12.5 mm + 0.5 mm
Length (L): 35.5 mm + 2.0 mm
Lead Wire Diameter (d): 0.6 mm + 0.05 mm
Lead Spacing: 5.0 mm +/- 0.5 mm
Lead Length: 15 mm



 **Add To Sample Cart**
 (You can always remove it later)