



## LTC-16M-S2

Product Photo  
Unavailable

### KEEPER II NON-RECHARGEABLE - LITHIUM / THIONYL CHLORIDE

**Product Name** Prismatic Battery

### APPLICATIONS

Airports; Emergency; Industrial; Inventory Management; Measuring/Monitoring; Medical; Military; Navigation; Specialized Products

### PERFORMANCE SPECIFICATIONS

<b>Voltage (Volts)</b>	3.5
<b>Capacity (MilliAmp-Hours)</b>	1600
<b>Temperature:Low (Fahrenheit)</b>	-40
<b>Temperature:High (Fahrenheit)</b>	203

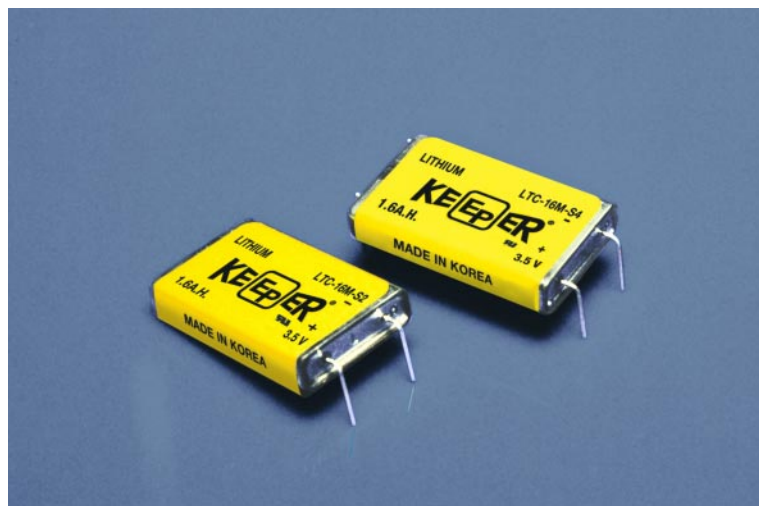
### DIMENSIONS AND WEIGHT

<b>Width/Diameter (Inches)</b>	.90
<b>Length/Depth (Inches)</b>	1.50
<b>Height/Thickness (Inches)</b>	.28
<b>Weight (grams)</b>	16.0

### PRODUCT NOTES

UL recognized, no charging circuits required, non-pressurized system

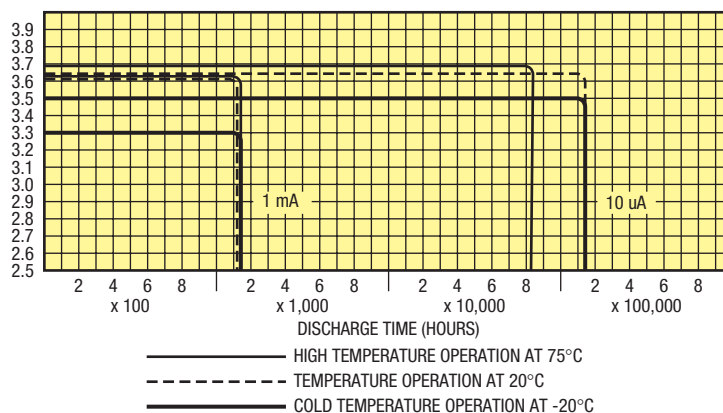
The powerful KEEPER Magnum series includes the LTC-16M series cells. These cells provide years of low-power drain, stand-by use or those demanding industrial, commercial and military applications where reliability is the primary concern. The low profile prismatic designs of the 16M cells, allow maximum board space utilization and are available with polarized PCB mount pins. With these characteristics the KEEPER Magnum series exhibits the same high quality performance that the entire KEEPER line has demonstrated for over 20 years.



#### LTC-16M PRODUCT FEATURES

- Compliant with lead-free RoHS and WEEE EC directives.
- Low profile, prismatic design.
- Stainless steel construction provides corrosion resistance, hermetic seal and structural integrity.
- Years of low rate continuous use.
- Stand-by use with 80% capacity retention after 15 years at room temperature.
- Highly efficient utilization of valuable board space.
- Wave solderable (limit solder bath exposure to a maximum of 5 seconds).
- High energy density compared to other chemistries.
- No charging circuits required.
- Higher cell voltage allows for fewer cells and high reliability.
- Flat discharge characteristics provide optimum voltage regulation.
- Non-pressurized system allow for high temperature usage.
- Ship unrestricted. IATA No. UN3090.
- Underwriters Laboratories recognized component.

TYPICAL LTC-16M DISCHARGE CHARACTERISTICS AT VARIED TEMPERATURES



LITHIUM-THIONYL CHLORIDE BATTERIES

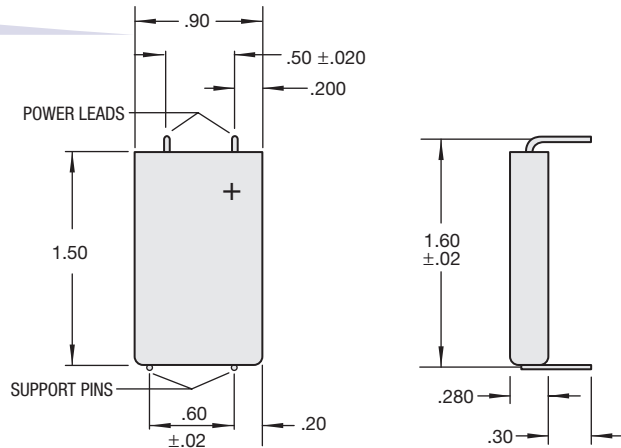
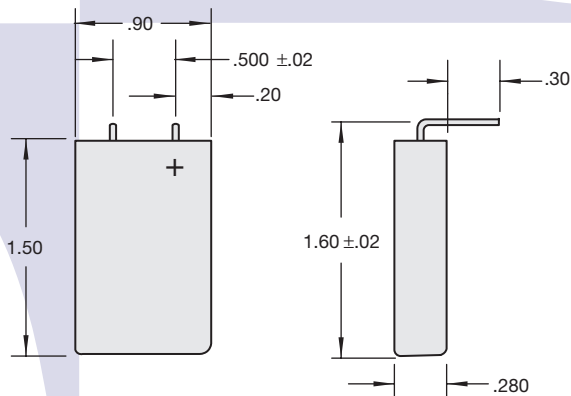
Part Number	Voltage	Capacity (mAh)	Length (in.)	Width (in.)	Thickness (in.)	Weight (g)
LTC-16M-S2	3.5	1600	1.50	0.90	0.28	16.0
LTC-16M-S4	3.5	1600	1.50	0.90	0.28	16.0

### SPECIFICATIONS LTC-16M-S2

Nominal Open Circuit Voltage, 25°C ..... 3.67 volts  
 Nominal Working Voltage, 25°C ..... 3.5 volts  
 Nominal Capacity (350 hr. rate), 25°C ..... 1600 mAh  
 Volume ..... .365 cu. in.  
 Weight ..... 16.0 GMS  
 Operating Temperature ..... -40°C to +95°C  
 Case Material: 304 Stainless Steel, Hermetically Sealed  
 (case positive polarity)  
 Terminal and Support Pins are .030" dia. (positive pin solder tinned)

### SPECIFICATIONS LTC-16M-S4

Nominal Open Circuit Voltage, 25°C ..... 3.67 volts  
 Nominal Working Voltage, 25°C ..... 3.5 volts  
 Nominal Capacity (350 hr. rate), 25°C ..... 1600 mAh  
 Volume ..... .365 cu. in.  
 Weight ..... 16.0 GMS  
 Operating Temperature ..... -40°C to +95°C  
 Case Material: 304 Stainless Steel, Hermetically Sealed  
 (case positive polarity)  
 Terminal and Support Pins are .030" dia. (positive pin solder tinned)



The specifications on this sheet may be changed by EaglePicher without notice.  
 EaglePicher™ is a trademark of and Keeper® is a registered trademark of EaglePicher Corporation.