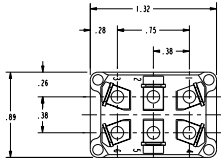
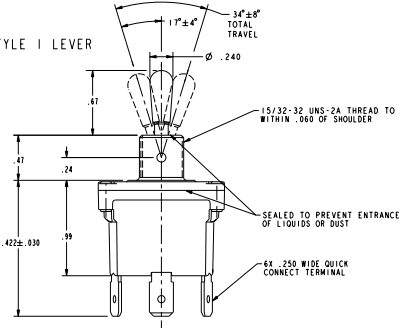


STYLE 1 LEVER



ELECTRICAL RATING	CATALOG LISTING	AVAILABLE LOCKING COMBINATIONS FOR CONFIGURATION SEE LETTERED DETAILS	STYLE NUMBER	SPECIFICATION DETAILS:																																																	
1/4W 16A 125V 250V 277V AC 1/2W 20A 125V 277V AC 2A 125V AC	32N197-72 32N197-72	NONE	1 82		STANDARD:																																																
<table border="1"> <tr> <th>LOCKING</th> <th>KEYWAY SIDE</th> <th>KEYWAY SIDE</th> <th>KEYWAY SIDE</th> <th>KEYWAY SIDE</th> <th>KEYWAY SIDE</th> <th>KEYWAY SIDE</th> </tr> <tr> <td>1**</td> <td>2**</td> <td>3**</td> <td>4**</td> <td>5**</td> <td>6**</td> <td>7**</td> </tr> <tr> <td>LOCKED IN CENTER AND EXTREME POS. (KEYWAY SIDE)</td> <td>LOCKED IN CENTER AND EXTREME POS. (KEYWAY SIDE)</td> <td>LOCKED OUT OF CENTER POSITION</td> <td>LOCKED IN CENTER POSITION</td> <td>LOCKED IN EXTREME POS. (OPP. KEYWAY)</td> <td>LOCKED IN EXTREME POS. (KEYWAY SIDE)</td> <td>LOCKED OUT OF CENTER AND EXTREME POS. (KEYWAY SIDE)</td> </tr> <tr> <td>8**</td> <td>9**</td> <td>10**</td> <td>11**</td> <td>12**</td> <td>13**</td> <td>14**</td> </tr> <tr> <td>LOCKED OUT OF CENTER AND EXTREME POS. (KEYWAY SIDE)</td> <td>LOCKED OUT OF CENTER AND EXTREME POS. (KEYWAY SIDE)</td> <td>LOCKED IN CENTER AND EXTREME POS. (OPP. KEYWAY)</td> <td>LOCKED OUT OF CENTER AND EXTREME POS. (KEYWAY SIDE)</td> <td>LOCKED OUT OF AND INTO EXTREME POS. (OPP. KEYWAY)</td> <td>LOCKED IN EXTREME POS. (KEYWAY SIDE)</td> <td>LOCKED OUT OF CENTER AND EXTREME POS. (KEYWAY SIDE)</td> </tr> <tr> <td>15**</td> <td>16**</td> <td>17**</td> <td>18**</td> <td>19**</td> <td>20**</td> <td>21**</td> </tr> <tr> <td>LOCKED OUT OF AND INTO EXTREME POS. (KEYWAY SIDE)</td> <td>LOCKED OUT OF AND INTO EXTREME POS. (KEYWAY SIDE)</td> <td>LOCKED IN CENTER AND EXTREME POS. (KEYWAY SIDE)</td> <td>LOCKED OUT OF AND INTO EXTREME POS. (KEYWAY SIDE)</td> <td>LOCKED OUT OF AND INTO EXTREME POS. (KEYWAY SIDE)</td> <td>LOCKED OUT OF AND INTO EXTREME POS. (KEYWAY SIDE)</td> <td>LOCKED OUT OF AND INTO EXTREME POS. (KEYWAY SIDE)</td> </tr> </table>				LOCKING	KEYWAY SIDE	KEYWAY SIDE	KEYWAY SIDE	KEYWAY SIDE	KEYWAY SIDE	KEYWAY SIDE	1**	2**	3**	4**	5**	6**	7**	LOCKED IN CENTER AND EXTREME POS. (KEYWAY SIDE)	LOCKED IN CENTER AND EXTREME POS. (KEYWAY SIDE)	LOCKED OUT OF CENTER POSITION	LOCKED IN CENTER POSITION	LOCKED IN EXTREME POS. (OPP. KEYWAY)	LOCKED IN EXTREME POS. (KEYWAY SIDE)	LOCKED OUT OF CENTER AND EXTREME POS. (KEYWAY SIDE)	8**	9**	10**	11**	12**	13**	14**	LOCKED OUT OF CENTER AND EXTREME POS. (KEYWAY SIDE)	LOCKED OUT OF CENTER AND EXTREME POS. (KEYWAY SIDE)	LOCKED IN CENTER AND EXTREME POS. (OPP. KEYWAY)	LOCKED OUT OF CENTER AND EXTREME POS. (KEYWAY SIDE)	LOCKED OUT OF AND INTO EXTREME POS. (OPP. KEYWAY)	LOCKED IN EXTREME POS. (KEYWAY SIDE)	LOCKED OUT OF CENTER AND EXTREME POS. (KEYWAY SIDE)	15**	16**	17**	18**	19**	20**	21**	LOCKED OUT OF AND INTO EXTREME POS. (KEYWAY SIDE)	LOCKED OUT OF AND INTO EXTREME POS. (KEYWAY SIDE)	LOCKED IN CENTER AND EXTREME POS. (KEYWAY SIDE)	LOCKED OUT OF AND INTO EXTREME POS. (KEYWAY SIDE)	LOCKED OUT OF AND INTO EXTREME POS. (KEYWAY SIDE)	LOCKED OUT OF AND INTO EXTREME POS. (KEYWAY SIDE)	LOCKED OUT OF AND INTO EXTREME POS. (KEYWAY SIDE)	CONSTRUCTION:
LOCKING	KEYWAY SIDE	KEYWAY SIDE	KEYWAY SIDE	KEYWAY SIDE	KEYWAY SIDE	KEYWAY SIDE																																															
1**	2**	3**	4**	5**	6**	7**																																															
LOCKED IN CENTER AND EXTREME POS. (KEYWAY SIDE)	LOCKED IN CENTER AND EXTREME POS. (KEYWAY SIDE)	LOCKED OUT OF CENTER POSITION	LOCKED IN CENTER POSITION	LOCKED IN EXTREME POS. (OPP. KEYWAY)	LOCKED IN EXTREME POS. (KEYWAY SIDE)	LOCKED OUT OF CENTER AND EXTREME POS. (KEYWAY SIDE)																																															
8**	9**	10**	11**	12**	13**	14**																																															
LOCKED OUT OF CENTER AND EXTREME POS. (KEYWAY SIDE)	LOCKED OUT OF CENTER AND EXTREME POS. (KEYWAY SIDE)	LOCKED IN CENTER AND EXTREME POS. (OPP. KEYWAY)	LOCKED OUT OF CENTER AND EXTREME POS. (KEYWAY SIDE)	LOCKED OUT OF AND INTO EXTREME POS. (OPP. KEYWAY)	LOCKED IN EXTREME POS. (KEYWAY SIDE)	LOCKED OUT OF CENTER AND EXTREME POS. (KEYWAY SIDE)																																															
15**	16**	17**	18**	19**	20**	21**																																															
LOCKED OUT OF AND INTO EXTREME POS. (KEYWAY SIDE)	LOCKED OUT OF AND INTO EXTREME POS. (KEYWAY SIDE)	LOCKED IN CENTER AND EXTREME POS. (KEYWAY SIDE)	LOCKED OUT OF AND INTO EXTREME POS. (KEYWAY SIDE)	LOCKED OUT OF AND INTO EXTREME POS. (KEYWAY SIDE)	LOCKED OUT OF AND INTO EXTREME POS. (KEYWAY SIDE)	LOCKED OUT OF AND INTO EXTREME POS. (KEYWAY SIDE)																																															
				ENCLOSURE DESIGN	ENVIRONMENTALLY SEALED																																																
				CONTACT MATERIAL & CONFIGURATION	SILVER CAD DIODE CONTACTS																																																
				CIRCUIT CONFIGURATION	SEE CIRCUITRY CHART																																																
				TERMINATION	.250 WIDE QUICK CONNECT TERMINALS																																																
				WEIGHT	.12 LB APPROX																																																
				EXPOSED METALS	NICKEL PLATED BRASS LEVER/ALUMINUM COVER																																																
				ELECTRICAL CHARACTERISTICS:																																																	
				ELECTRICAL RATINGS	LOAD VOLTAGE INDUCTIVE RESISTIVE MOTOR SEA LEVEL 28 VDC 28 VDC 10 AMP 18 AMP 5 AMP -50.000 FEET 28 VDC N/A																																																
				DIELECTRIC STRENGTH & INSULATION RES	DIELECTRIC STRENGTH INSULATION RESISTANCE 1000V RMS, 500µA (MAX LMG) 1000V RMS, 500µA (MAX LMG) N/A																																																
				RECOMMENDATION FOR USE IN APPL LESS THAN .5 amps AND/OR 12 volts	NOT RECOMMENDED																																																
				MECHANICAL CHARACTERISTICS:																																																	
				COINCIDENCE OF OP AND REL POINTS	N/A																																																
				OPERATING FORCE	N/A																																																
				RELEASE FORCE	N/A																																																
				FULL OVERTRAVEL FORCE	N/A																																																
				PRETRAVEL	N/A																																																
				DIFFERENTIAL TRAVEL	N/A																																																
				OVERTRAVEL	N/A																																																
				MOUNTING STRENGTH	25 IN-LBS																																																
				ACTUATOR STRENGTH	25 LBS THROUGHOUT RANGE																																																
				MECHANICAL LIFE	40,000 MIN																																																
				ELECTRICAL LIFE AT FULL RATED LOAD	20,000 MIN																																																
				ENVIRONMENTAL:																																																	
				TEMPERATURE RANGE	-40° C TO +71° C																																																
				ALTITUDE RANGE	N/A																																																
				SHOCK	N/A																																																
				VIBRATION	N/A																																																
				MOISTURE RESISTANCE	N/A																																																
				THERMAL SHOCK	N/A																																																
				SALT SPRAY	48 HRS																																																

NOTES  
 1 - SWITCHES ARE CAPABLE OF WITHSTANDING A TEMPERATURE OF 140°F CONTINUOUSLY AT FULL RATED LOAD  
 2 - MICRO SWITCH CATALOG LISTING MARKED ON SIDE OF SWITCH  
 3 - FURNISHED UNASSEMBLED  
 4 - KEYWAY SHOWN ON LEFT SIDE  
 5 - SUFFIX LETTER MUST BE ADDED FOR DESIRED TYPE OF TOGGLE LOCKING. SEE CHART FOR AVAILABLE LOCKING COMBINATIONS

THIS DRAWING COVERS A PROPRIETARY ITEM AND IS THE PROPERTY OF MICRO SWITCH, A DIVISION OF HONEYWELL. THIS DRAWING IS NOT TO BE COPIED OR USED WITHOUT THE APPROVAL OF MICRO SWITCH.

100-000-000-0000 MICRO SWITCH HONEYWELL DIVISION SWITCH - TOGGLE 32N197-72 SERIES CHART 1

ANSI Y14.5M-1982 APPLIES

THIRD ANGLE PROJECTION  
 SCALE 1:1  
 DO NOT SCALE PRINT  
 UNLESS OTHERWISE SPECIFIED TOLERANCES ARE  
 ONE PLACE 1.01 ± .030  
 TWO PLACE 1.001 ± .015  
 THREE PLACE 1.0001 ± .005  
 ANGLES °  
 WEIGHT .12 LBS APPROX