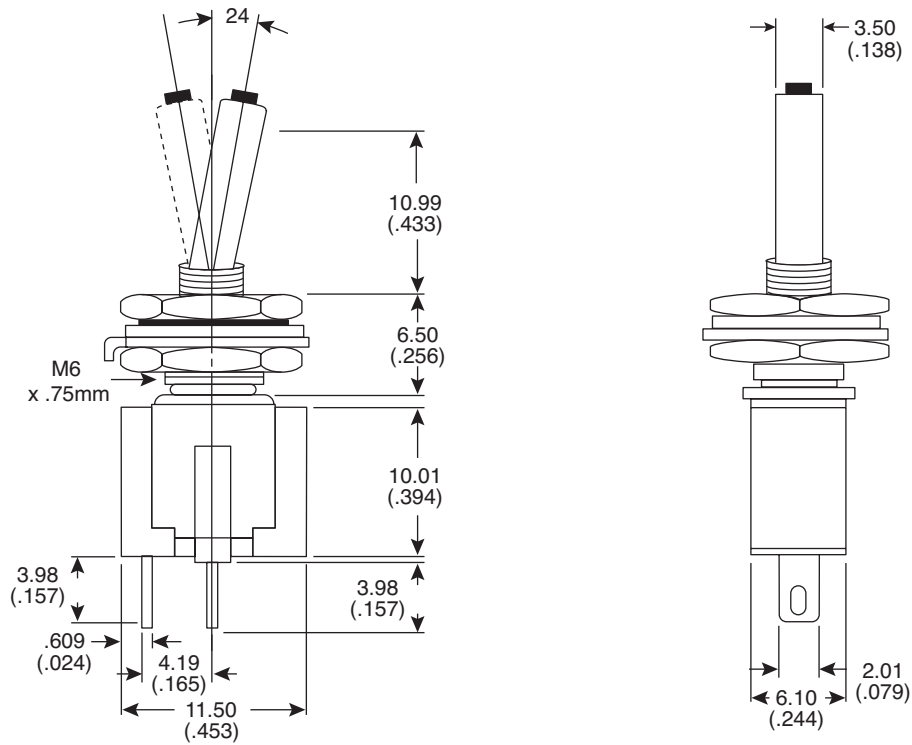
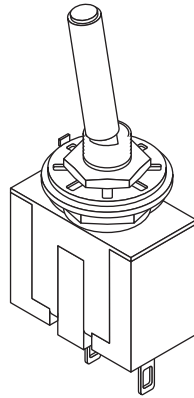


Dimensions: mm (In.)



Electrical Specifications:

- Rating: 3A/125VAC
- Insulation resistance: $\geq 100M\Omega$ min. @ 500VDC
- Dielectric Strength: 1000VAC for 1 minute
- Contact resistance: $\leq 20m\Omega$ max. @ 2.5VDC

Mouser Stock No.	Tip Color	Type	Circuit
10TF105	Red	SPST	On-Off
10TF205	Yellow	SPST	On-Off
10TF305	Blue	SPST	On-Off
10TF110	Red	SPDT	On-On
10TF210	Yellow	SPDT	On-On
10TF310	Blue	SPDT	On-On

Miniature Toggle Switches
 10TF105, 10TF205, 10TF305,
 10TF110, 10TF210, 10TF310

