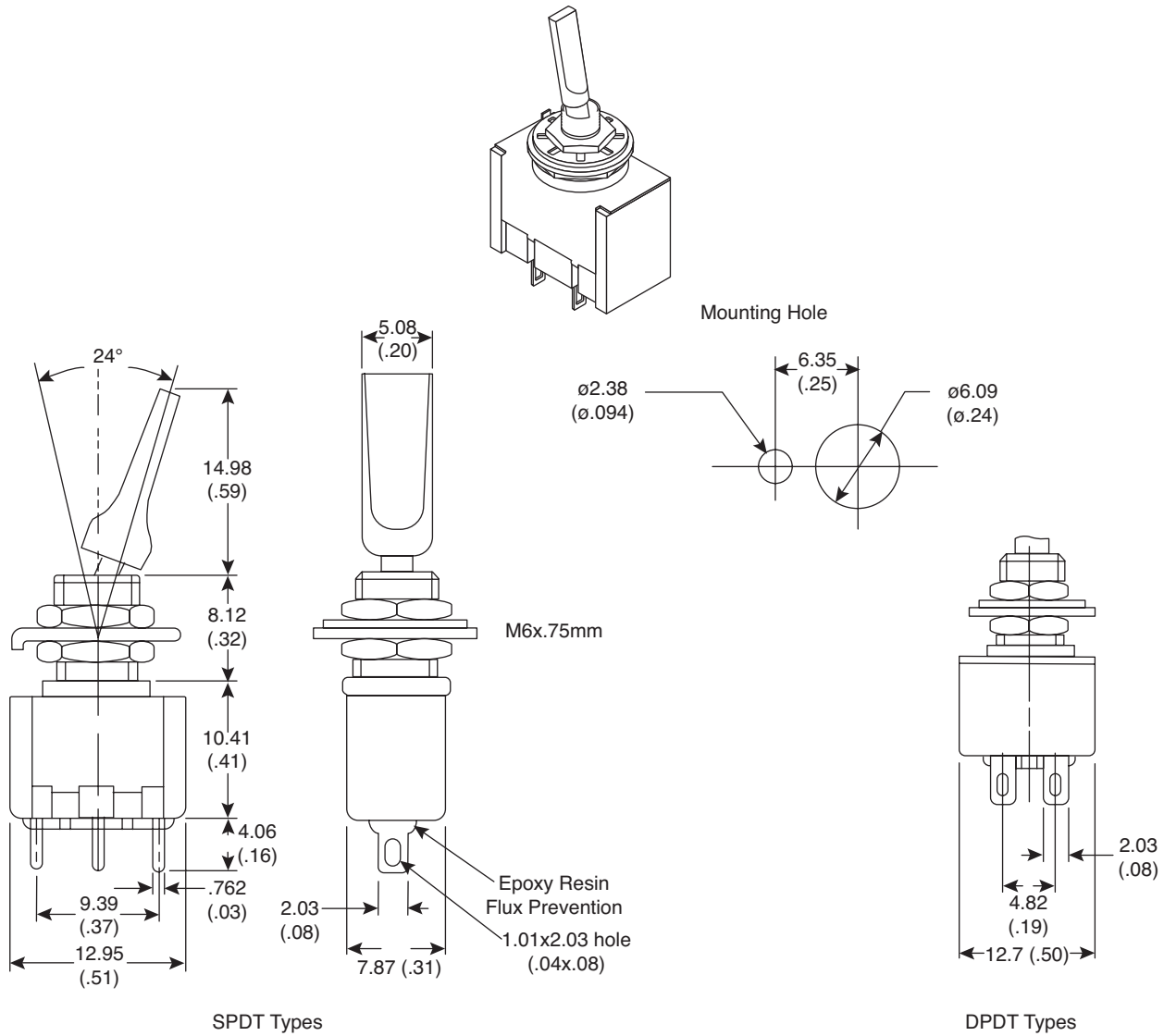


Dimensions: mm (In.)



Electrical Specifications:

- Rating: 6A/125VAC
- Contact resistance: 20mΩ max
- Insulation resistance: 500VDC @ 100MΩ (min)
- Dielectric Strength: 1000AC / min

Material:

- Internal Contacts: Silver and Copper

Mouser Stock No.	Type	Circuit
10TA220	SPST	On-Off
10TA245	SPDT	(On)-Off-(On)
10TA235	SPDT	On-Off-On
10TA260	DPDT	On-On
10TA275	DPDT	(On)-Off-(On)

Miniature Toggle Switches
 10TA220, 10TA260, 10TA245,
 10TA235, 10TA275



Available from Mouser Electronics

www.mouser.com

1-800-346-6873