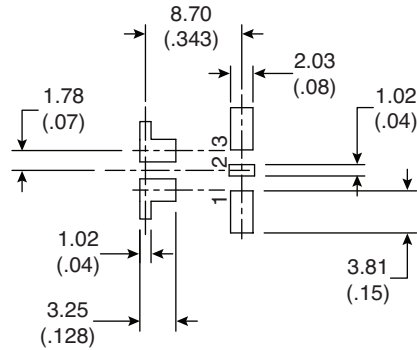
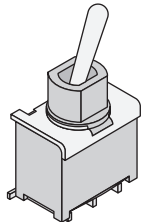


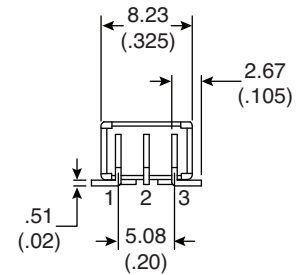
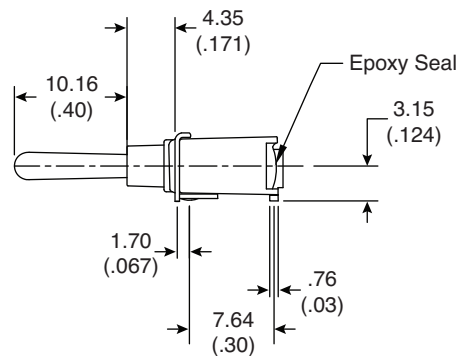
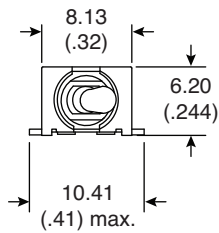
Dimensions: mm (in.)



P.C. Mounting

| POS.1 | POS.2 | POS.3 |
|-------|-------|-------|
| | | |
| (ON) | OFF | (ON) |
| 2-3 | OPEN | 2-1 |
| | | |

Switch Function



Mechanical Specifications:

- Mechanical Life: 50,000 make-and-break cycles
- Operating Temperature: -30°C to 85°C

Electrical Specifications:

- Rating: 0.4VA Max./20V AC or DC Max.
- Contact Resistance: 20mΩ max. initial @ 2-4VDC 100mA
- Insulation Resistance: 1,000MΩ min.
- Dielectric Strength: 1,000 V RMS@sea level

Note:

- RoHS Compliant by Exemption

Soldering Process:

- Wave soldering: Recommended soldering temperature: 260±5°C Duration of solder immersion: 5±1 seconds (PCB is 1.6mm in thickness)

Sealed Sub-Miniature Toggle Switch
108-2BS4T1T48-EVX



Available from Mouser Electronics

www.mouser.com

1-800-346-6873

Specifications are subject to change without notice. No liability or warranty implied by this information. Environmental compliance based on producer documentation.