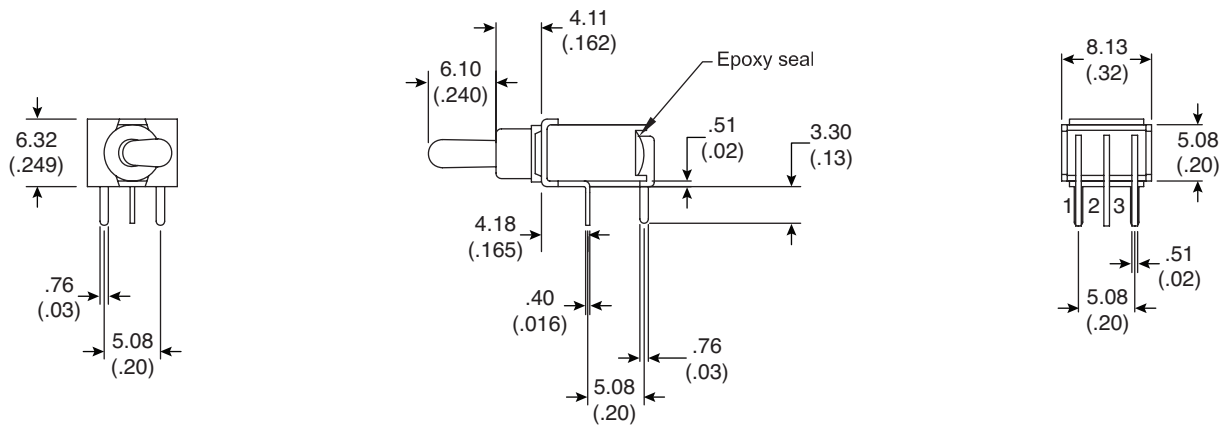
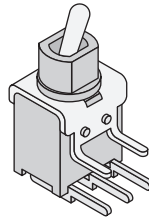
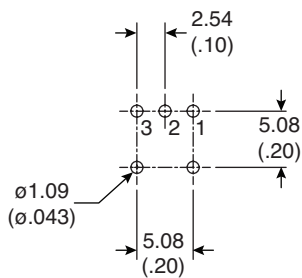


Dimensions: mm (In.)



P.C. Mounting



POS.1	POS.2	POS.3
ON	OFF	ON
2-3	OPEN	2-1

Switch Function

Electrical Specifications:

- Contact resistance: 20m $\Omega$  max. initial @ 2-4VDC 100mA
- Insulation resistance: 1,000M $\Omega$  min.
- Dielectric strength: 1,000 V RMS@sea level
- Rating: 1A / 250VAC; 3A / 120VAC or 28VDC

Mechanical Specifications:

- Mechanical life: 50,000 make-and-break cycles
- Operating temperature: -30°C to 85°C

Note:

- RoHS Compliant by Exemption

Sealed Sub-Miniature Toggle Switch  
108-2AS3T2629-EVX



Available from Mouser Electronics

www.mouser.com

1-800-346-6873