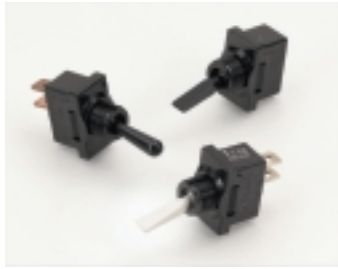


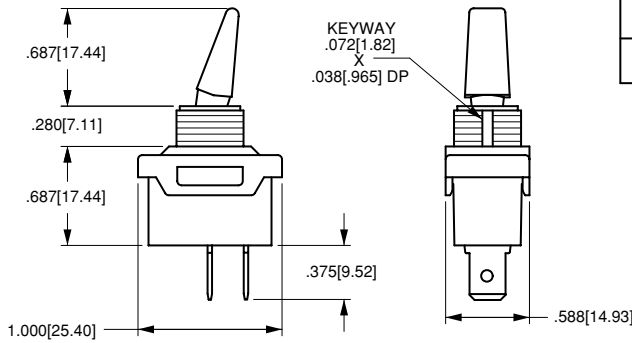
D-Series Single Pole Toggle Switches



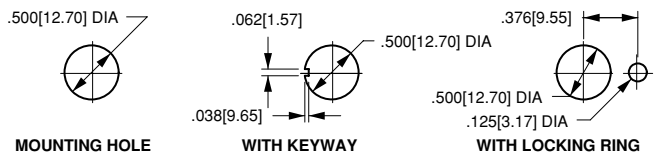
The D-Series single pole compact high current toggles switches are ideal for applications with back panel size constraints. These switches feature self-cleaning contacts and ratings up to 20A 125VAC, 10A 250VAC, 1 1/2 HP 125-250VAC. With an economical double insulated all-nylon construction, these switches figure prominently in the Environmental Controls, Marine, Food Service, Vacuum Cleaner and various other general purpose markets with stringent current carrying requirements.

Dielectric Strength
 UL/CSA: 1000V - live to dead metal
 TUV: 4000V - live to dead metal; 1250 opposite polarity and across open circuits.
Electrical Life
 25,000 cycles
Mechanical Life
 100,000 cycles
Operating Temperature
 32°F to 185°F (0°C to +85°C)

D-Series Dimensional Specifications: in. [mm]



 SOLDER LUG	 .250 TAB (Q.C.)	 INTEGRATED WIRE LEAD (no exposed conductors)
TERMINAL TYPE		



1 BASE PART NUMBER: SERIES/CIRCUITRY/RATING/TERMINATION

10A 250VAC, 20A 125VAC, 1 1/2 HP 125-250VAC

	<i>solder</i>	<i>.250</i>	<i>wire</i>
	<i>lug</i>	<i>tab</i>	<i>leads</i>
OFF-NONE-ON	DA220	DA221	DA225
ON-NONE-ON	DB220	DB221	DB225
ON-OFF-ON	DC220	DC221	DC225

5A 250VAC, 10A 125VAC, 1/2 HP 125-250VAC, 4(4) 250VAC μ TUV approved

wire
leads

ON-NONE-OFF **DA945¹**

2 TOGGLE STYLE
B bat
P paddle

3 TOGGLE COLOR²
B black
W white

4 BUSHING COLOR
B black
W white

NOTES
 1 Available with wire leads and ON-OFF circuit only.
 2 Additional colors available. Consult factory for details.