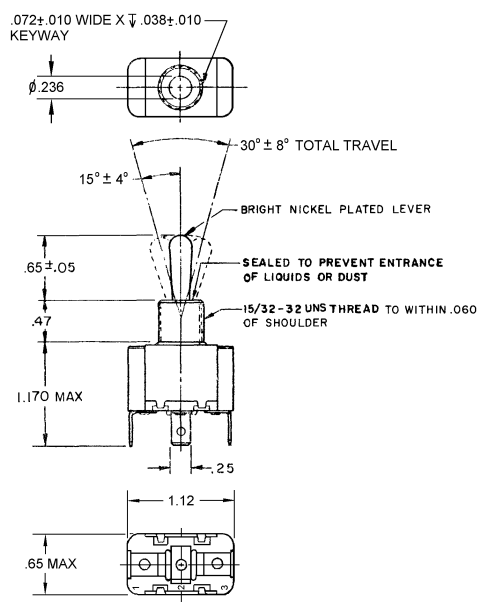


**MICRO SWITCH**  
a Honeywell Div  
FED. MFG. CODE 91529

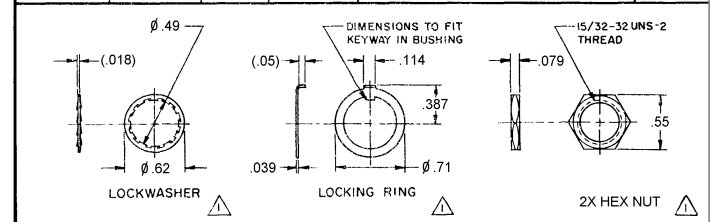
SWITCH - TOGGLE

CATALOG LISTING  
**11TS95 SERIES**  
CHART 1

THIS DRAWING COVERS A PROPRIETARY ITEM AND IS THE PROPERTY OF MICRO SWITCH, A DIVISION OF HONEYWELL. THIS DRAWING IS NOT TO BE COPIED OR USED WITHOUT THE APPROVAL OF MICRO SWITCH.



CAT. LIST.	CIRCUIT WITH TOGGLE IN			ELECTRICAL DATA
	EXTREME POSITION KEYWAY SIDE 1 - 2	CENTER	EXTREME POSITION OPPOSITE SIDE 2 - 3	
11TS95-1	ON	OFF	ON	L311 10A 277 VAC, 20A 125 VAC 3/4 HP 125, 250 VAC 
11TS95-2	OFF	NONE	ON	
11TS95-3	ON	NONE	ON	
11TS95-5	MOM ON	OFF	ON	
11TS95-6	MOM ON	NONE	OFF	
11TS95-7	MOM ON	OFF	MOM ON	
11TS95-4	MOM OFF	NONE	ON	



CATALOG LISTING  
**11TS95 SERIES CHART 1**  
 ISSUE 18  
 PAGE 1 OF 1  
 RELEASE NO. CO 29429(PR) REPLACES  
 REVISIONS  
 A 208642  
 24 OCT 02  
 B 0001201  
 18 JUN 04  
 C 0001734  
 20 JUN 03  
 D 0006054  
 13 OCT 03  
 AS  
 18 JUN 04  
 RASTER  
 DRAWN  
 C.S.L. 24 OCT 02  
 CHECK S.A.V. 24 OCT 02  
 CHECK AK  
 24 OCT 02  
 CHECK AK  
 24 OCT 02

- NOTES
- 1 - FURNISHED UNASSEMBLED
  - 2 - VISUAL DIFFERENCES IN TERMINAL SHAPES AND PLATING POSSIBLE
  - 3 - TO ORDER WITHOUT HARDWARE ADD (-NH) SUFFIX TO CATALOG LISTING
  - 4 - TO ORDER BULK PACKAGED (25 SWITCHES PER BAG, HARDWARE IN BULK) ADD (-BP) SUFFIX TO CATALOG LISTING, MINIMUM SHIPPING INCREMENT 500.

THIRD ANGLE PROJECTION	
SCALE	FULL
DO NOT SCALE PRINT	
UNLESS OTHERWISE SPECIFIED TOLERANCES ARE	
ONE PLACE	(.01) $\pm .030$
TWO PLACE	(.00) $\pm .015$
THREE PLACE	(.000) $\pm .005$
ANGLES	$\pm$
WEIGHT	

ANSI Y14.5M-1982 APPLIES