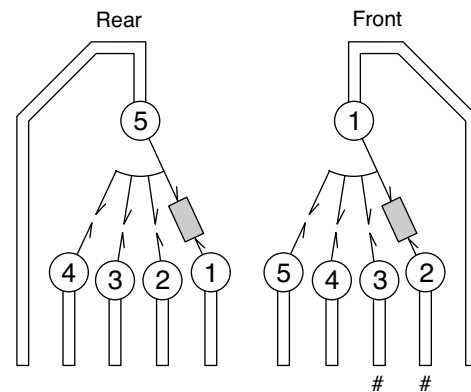
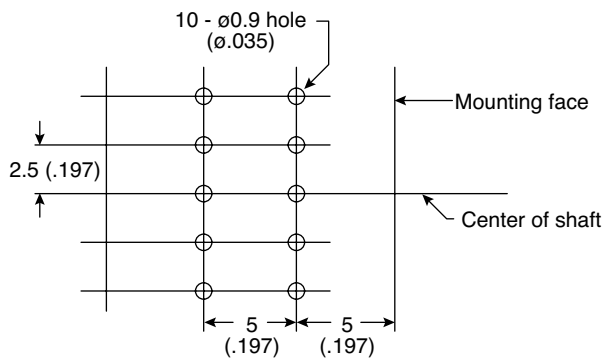
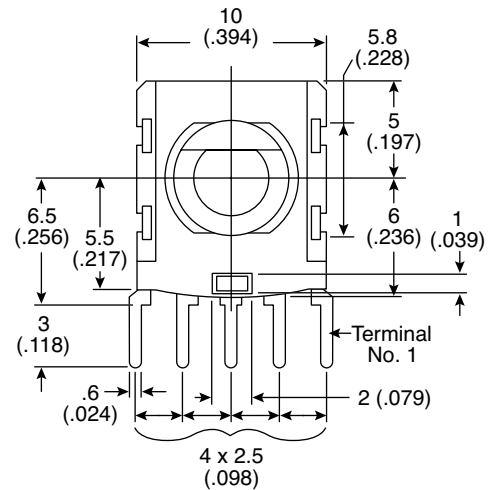
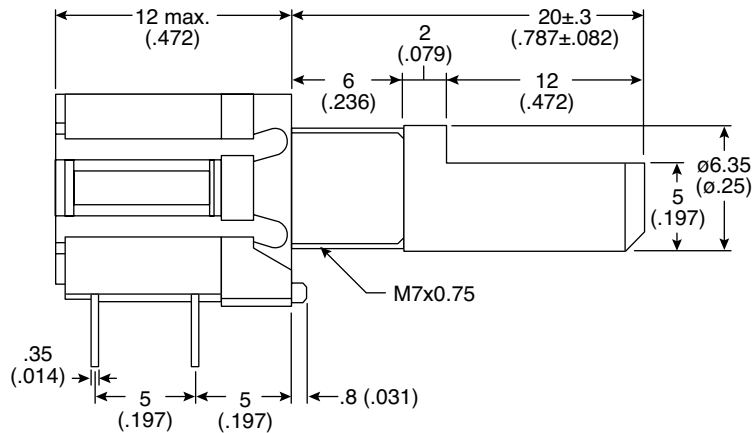




Rotary Switch 105-SR10010-16NS

Dimensions: mm (in)



Dummy Terminal

Electrical Specifications:

- Rating: 0.1A/16VDC
- Contact Resistance: 50 mΩ Max.
- Insulation Resistance: 100VDC-100MΩ Min.
- Dielectric Strength: 100VAC- 1 Minute

Mechanical Specifications:

- Rotation Torque: 400±200gf .cm
- Life Cycle: 10,000 cycles
- Timing: Non-Shorting
- Termination: PC Mount
- Poles: 1
- Positions: 6