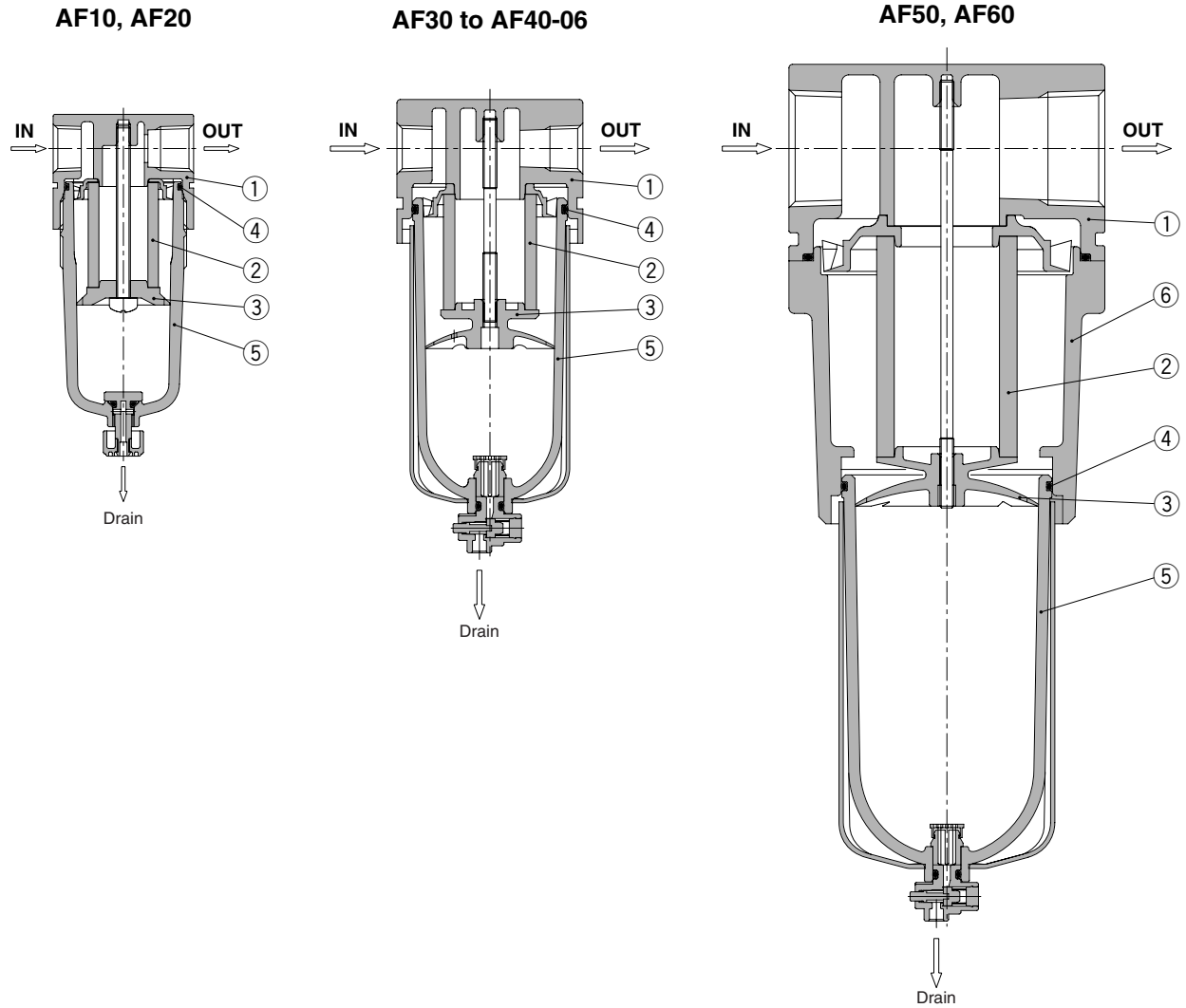


# Series AF10 to AF60

## Construction



### Component Parts

No.	Description	Material	Model	Color
1	Body	Zinc die-cast	AF10, AF20	Platinum silver
		Aluminum die-cast	AF30 to AF60	
6	Housing	Aluminum die-cast	AF50, AF60	Platinum silver

### Replacement Parts

No.	Description	Material	Part no.						
			AF10	AF20	AF30	AF40	AF40-06	AF50	AF60
2	Filter element	Non-woven fabric	AF10P-060S	AF20P-060S	AF30P-060S	AF40P-060S		AF50P-060S	AF60P-060S
3	Baffle	PBT	AF10P-040S <sup>Note 1)</sup>	AF20P-040S	AF30P-040S	AF40P-040S		AF50P-040S	AF60P-040S
4	Bowl O-ring	NBR	C1SFP-260S	C2SFP-260S	C3SFP-260S	C4SFP-260S			
5	Bowl assembly <sup>Note 2)</sup>	Polycarbonate	C1SF	C2SF	C3SF <sup>Note 3)</sup>	C4SF <sup>Note 3)</sup>			

Note 1) The material of the baffle for the AF10 (AF10P-040S) only is polyacetal.

Note 2) Bowl O-ring is included. Please contact SMC regarding the bowl assembly supply for psi and °F unit specifications.

Note 3) Bowl assembly for the AF30 to AF60 models comes with a bowl guard (steel band material).

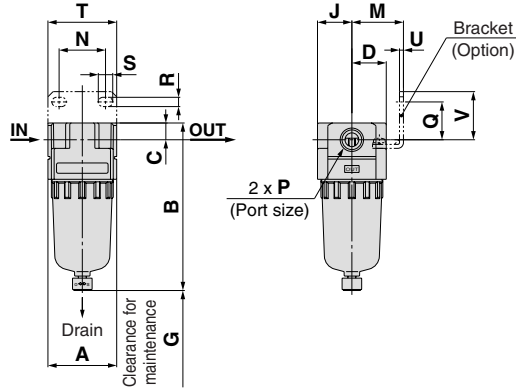
販  
促  
課  
  
開  
発  
課

A  
  
A

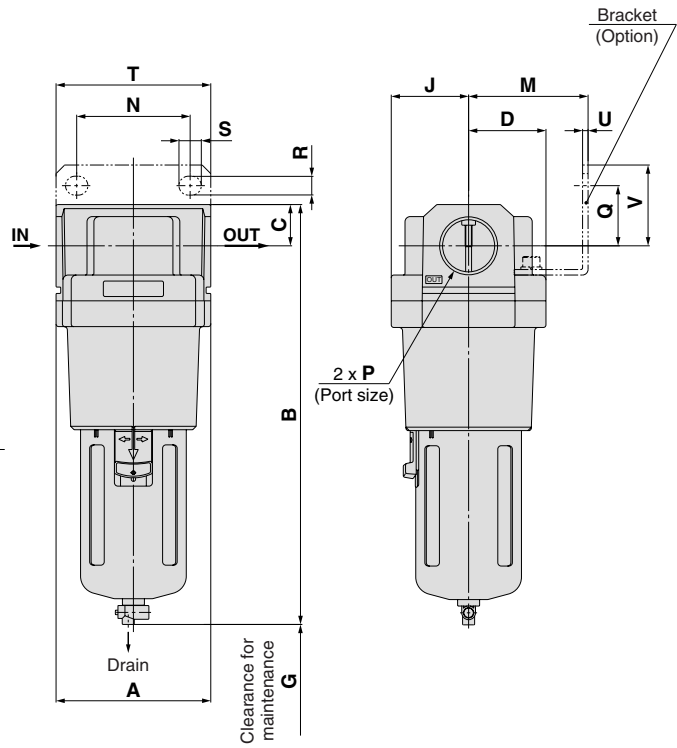
Downloaded from [Elcodis.com](http://Elcodis.com) electronic components distributor

## Dimensions

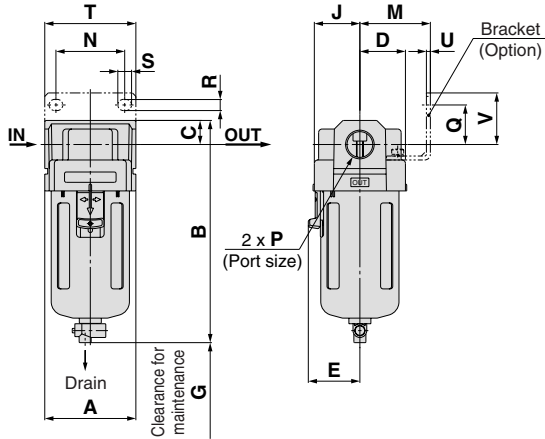
### AF10, AF20



### AF50, AF60



### AF30 to AF40-06



Applicable model Optional/Semi-standard specifications	AF10/20		AF20	AF30 to AF60				
	With auto drain (N.C.)	Metal bowl	With drain guide	With auto drain (N.O./N.C.)	Metal bowl	Metal bowl with level gauge	With drain guide	Drain cock with barb fitting
Dimensions	B M5 x 0.8	B	B 1/8 Width across flats 14	B N.O.: Black N.C.: Gray ø10 one-touch fitting	B	B	B 1/4 Width across flats 17	B Barb fitting Applicable tubing: T0604

Model	Standard specifications							Optional specifications										
								Bracket mount						With auto drain				
	P	A	B	C	D	E	G	J	M	N	Q	R	S	T	U	V	B	
AF10	M5 x 0.8	25	67	7	12.5	—	25	12.5	—	—	—	—	—	—	—	—	—	85
AF20	1/8, 1/4	40	97	10	20	—	40	20	30	27	22	5.4	8.4	40	2.3	28	115	
AF30	1/4, 3/8	53	129	14	26.5	30	50	26.5	41	40	23	6.5	8	53	2.3	30	170	
AF40	1/4, 3/8, 1/2	70	165	18	35	38	75	35	50	54	26	8.5	10.5	70	2.3	35	204	
AF40-06	3/4	75	169	20	35	38	75	35	50	54	25	8.5	10.5	70	2.3	34	208	
AF50	3/4, 1	90	245	24	45	—	20	45	70	66	35	11	13	90	3.2	47	284	
AF60	1	95	258	24	47.5	—	20	47.5	70	66	35	11	13	90	3.2	47	297	

Model	Semi-standard specifications			
	With barb fitting	With drain guide	Metal bowl	Metal bowl with level gauge
	B	B	B	B
AF10	—	—	66	—
AF20	—	101	97	—
AF30	137	136	142	162
AF40	173	172	178	198
AF40-06	177	176	182	202
AF50	253	252	258	278
AF60	266	265	271	291

AC

AF□

AR

AL

AW□

A□G

AV

AF800  
AF900