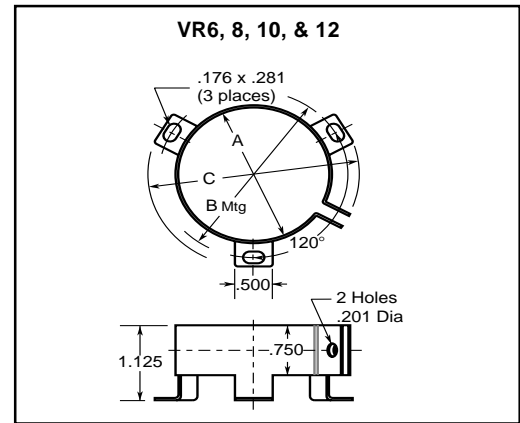
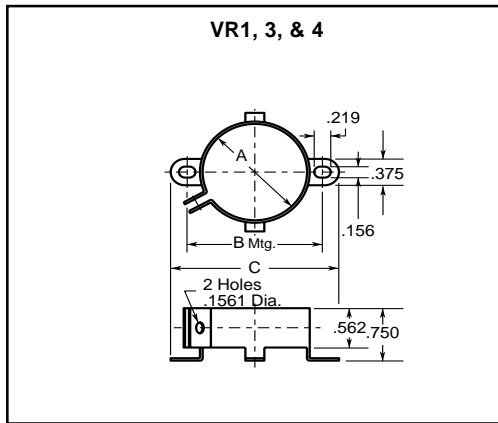


## TYPE VR VERTICAL MOUNTING CLAMP



| Diameter of Part to be Mounted | Catalog Number      |                                  |                            | Dimensions                    |          |          |
|--------------------------------|---------------------|----------------------------------|----------------------------|-------------------------------|----------|----------|
|                                | Without Screw & Nut | Unassembled Screw & Nut Included | Assembled with Screw & Nut | A                             | B        | C        |
| 1" to 1-1/16"                  | VR1B                | VR1                              | VR1A                       | 1"                            | 1-7/16"  | 1-7/8**  |
| 1-3/8" to 1-7/16"              | VR3B                | VR3                              | VR3A                       | 1-3/8"                        | 1-25/32" | 2-7/32"  |
| 1-1/2" to 1-9/16"              | VR4B                | VR4                              | VR4A                       | 1-1/2"                        | 1-15/16" | 2-11/32" |
| 1-3/4" to 1-13/16"             | VR6B                | VR6                              | VR6A                       | 1-3/4"                        | 2-1/4"   | 2-9/16"  |
| 2" to 2-1/16"                  | VR8B                | VR8                              | VR8A                       | 2"                            | 2-1/2"   | 2-13/16" |
| 2-1/2" to 2-9/16"              | VR10B               | VR10                             | VR10A                      | 2-1/2"                        | 3"       | 3-5/16"  |
| 3" to 3-1/8"                   | VR12B               | VR12                             | VR12A                      | 3"                            | 3-7/16"  | 3-13/16" |
| Screw                          | VRSCREW             | —                                | —                          | 9/16" long 6-32 thread NC-2A  |          |          |
| Nut                            | VRNUT               | —                                | —                          | Standard hex nut to fit screw |          |          |

NACC VR mounting clamps may be used to mount any cylindrical capacitor with a 1" to 3" diameter that is to be mounted in a vertical position. Material is 1010 CRS, commercial grade #4 temper ASI-scale. Parts are finished with .0001 (nominal) zinc chromate plating. Use for mounting CG types, PSU, HC/NP and MPD/MPF types. Material thickness is .035"



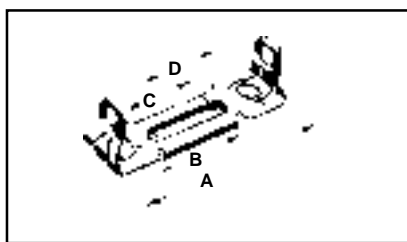
## MOUNTING ACCESSORIES FOR PSU AND HC/NP TYPE CAPACITORS

### Type HB Horizontal Mounting Bracket

| EIA Case Code | Dimensions |          |          |         | Catalog Number |
|---------------|------------|----------|----------|---------|----------------|
|               | A          | B        | C*       | D       |                |
| 1             | 3-3/8"     | 1-11/64" | 7/8"     | 1.258   | HB2            |
| 2-4-6         | 4-1/64"    | 1-13/16" | 1-1/2"   | 1-37/64 | HB4            |
| 3-5-7-8       | 5-1/64"    | 2-23/32" | 1-25/32" | 2-5/64" | HB8            |

HB brackets are used with PL or PLA end caps. The bracket is assembled to the motor or any suitable surface by two screws in line at any convenient position within the center-to-center dimension (C) shown in the chart.

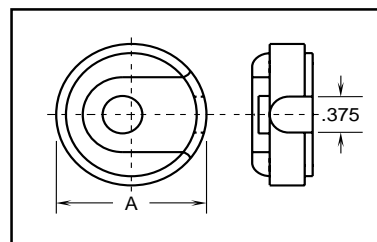
Material: .042 spring steel with black parkerized finish



\*C dimension = max mounting hole center  
Use 10-32" flat head screws

### Type PL and PLA End Caps

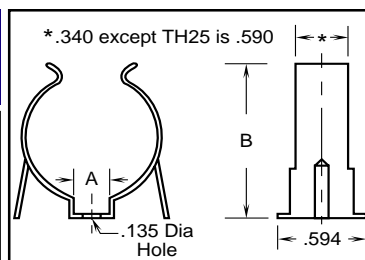
| EIA Case Code | A Dimension | Catalog Number           |                             |
|---------------|-------------|--------------------------|-----------------------------|
|               |             | Wire Hole Toward Bracket | Wire Hole Away From Bracket |
| 1-2-3         | 1-7/16"     | PL3                      | PLA3                        |
| 4-5           | 1-13/16"    | PL6                      | PLA6                        |
| 6-7           | 2-1/16"     | PL8                      | PLA8                        |
| 8             | 2-9/16"     | PL10                     | PLA10                       |



PL and PLA end caps are usually used with HB type brackets. The drawing shown at left is type PL for use with the wiring through the bracket to the motor. For off motor mounting, use type PLA. See page 214 for a photo showing a capacitor and end cap mounted in a bracket.

## TYPE TH HORIZONTAL MOUNTING CLIP

| Nominal Diameter of Part to be Mounted | Dimensions |       | Catalog Number |
|--|------------|-------|----------------|
|  | A          | B     |                |
| .375                                   | .250       | .470  | TH13           |
| .500                                   | .250       | .620  | TH15           |
| .625                                   | .312       | .720  | TH17           |
| .750                                   | .312       | .890  | TH19           |
| .875                                   | .312       | 1.000 | TH21           |
| 1.000                                  | .312       | 1.060 | TH23           |
| 1.375                                  | .312       | 1.500 | TH25           |

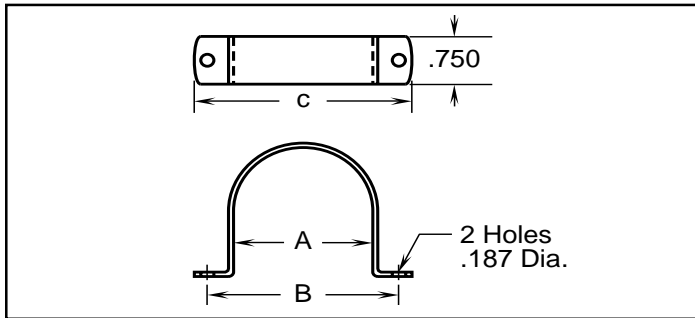


These clips, though designed for capacitors, have varied applications to retain many cylindrical components. They are used extensively in the electrical and electronic industries to hold spindles, condensers, capacitors, tubes, rods and conduit. Clips have phosphate and oil finish.

Material thickness TH13 thru TH17 is .016". TH19 thru TH25 is .020"

## MOUNTING ACCESSORIES FOR AC TYPE CAPACITORS

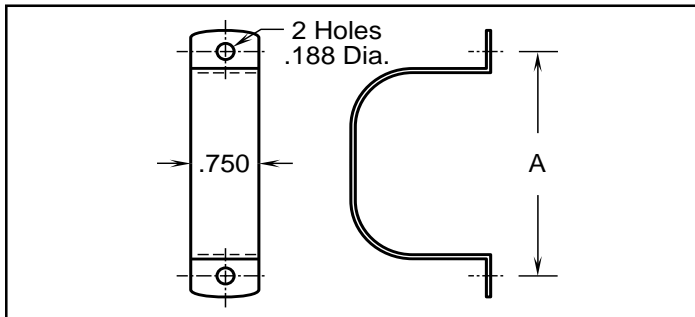
### Type RB Cylindrical Capacitor Mounting Clamp



This clamp has a galvanized finish and is designed for use with the round base style motor run capacitor, types MPF. Material thickness is .035"

| Base Style | Dimensions         |       |       | Catalog Number |
|------------|--------------------|-------|-------|----------------|
|            | A Nominal Diameter | B     | C     |                |
| 21         | 1.750              | 2.500 | 2.875 | RB175          |
| 23         | 2.000              | 2.750 | 3.125 | RB200          |
| 24         | 2.500              | 3.250 | 3.625 | RB250          |
| 21         | 1.750              | 2.500 | 3.250 | RB175A         |
| 23         | 2.000              | 2.750 | 3.500 | RB200A         |
| 24         | 2.500              | 3.250 | 4.000 | RB250A         |

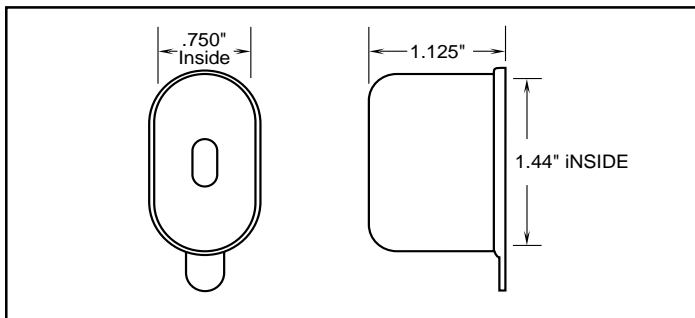
### Type OB Oval Capacitor Mounting Clamp



This clamp has a galvanized finish and is designed for use with the flat oval base style AC capacitors, types MPF/MSF. Material thickness is .036"

| Base Style | Dimensions          |         | Catalog Number |
|------------|---------------------|---------|----------------|
|            | Base Size           | A       |                |
| 32         | 1-5/16" x 2-5/32"   | 2-9/16" | OB2            |
| 37         | 1-31/32" x 2-29/32" | 3-5/16" | OB4            |
| 38         | 1-31/32" x 3-21/32" | 4-1/16" | OB3            |

### Neoprene Terminal Insulator



For use on capacitor types MPF/MSF, this neoprene terminal insulator, or 'boot', is used to insulate and protect the terminal area of single section units only. Material is classified 94V-1 when tested per UL94.

Order catalog number: **OC1**

### ACR15KT Motor Start Resistor Kit



15K Ohm 2 watt bleeder resistors for AC motor start applications. Saves relay switch contacts and capacitor, particularly in capacitor start-run applications. 1/4" quick connect terminals eliminate need for soldering.

#### ACR15K:

Pack of 10, 15K Ohm 2 watt bleeder resistor without quick connect terminals.

### ACR220KT Motor Run Resistor Kit



220K Ohm 1 watt bleeder resistors for AC motor run applications. Saves relay switch contacts and capacitor, particularly in capacitor start-run applications. 1/4" quick connect terminals eliminate need for soldering.

#### ACR220K:

Pack of 10, 220K Ohm 1 watt bleeder resistor without quick connect terminals.